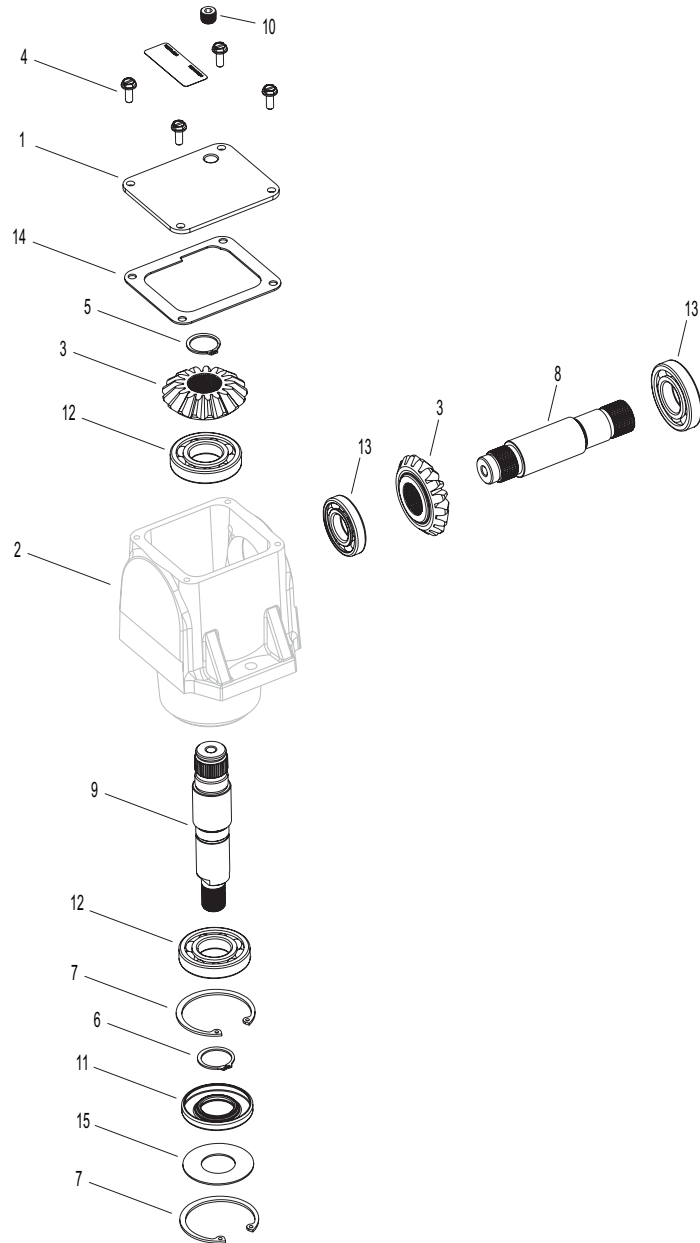


# WALKER MANUFACTURING COMPANY

## CAST IRON PEERLESS GEARBOX 1050-011 (WALKER P/N 5052-8)



Return to  
Identification Page

ITEM NO.	WALKER	PEERLESS	DESCRIPTION	NO. REQ'D
	PART NO.	PART NO.		
1	P018	772067	Cover, LH	1
2	N/A	770141	Right Angle Drive Housing	1
3	P003	778101	Miter Gear (17 teeth-steel)	2
4	P008	792025	Screw, RD/HD Self-Tap	4
5	P032	788018	Snap Ring, Gear Retainer	1
6	P028	788019	Snap Ring	1
7	P016	792119	Snap Ring	2
8	P011	776041A	Input Shaft	1
9	P063	776465	Output Shaft	1
10	P041	28534	Plug, Cover	1
11	P001	788029	Seal, Oil (Federal-Mogele)	1
12	P024	780034	Ball Bearing	3
13	P019	780024	Ball Bearing	1
14	P004	788028	Gasket Cover	1
15	P062	792219	Seal Protector Washer	1

Return to  
Identification Page

**This Gearbox is used in the following applications:**  
(RH and LH indicate view from operator seat)  
DML42A LH Gearbox