

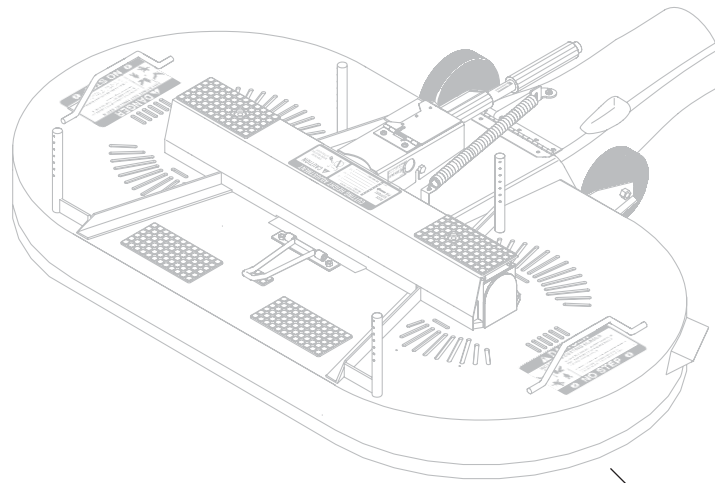
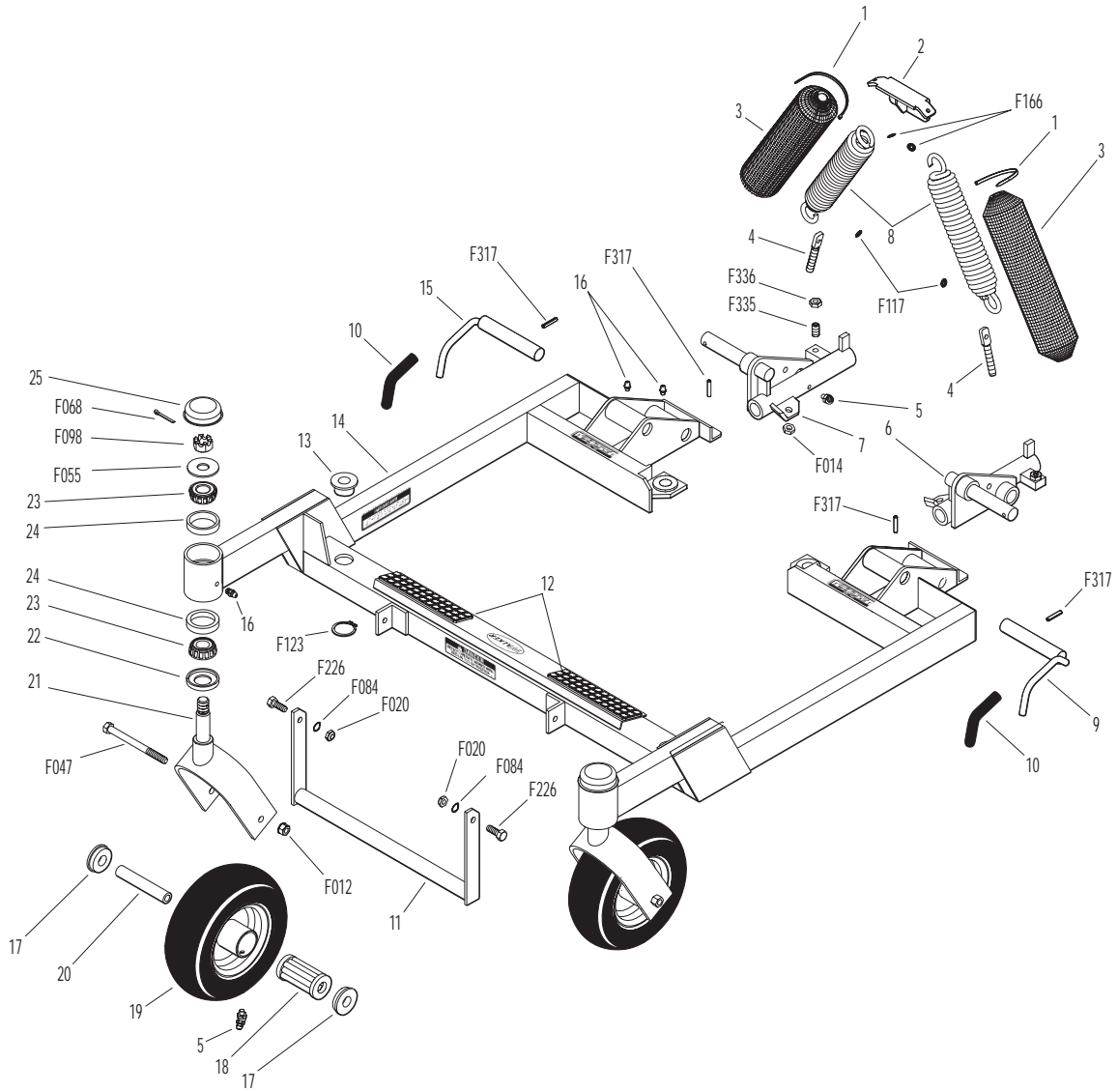
48E INCH COMPLETE CARRIER FRAME ASSEMBLY (P/N 7700-2)

| ITEM NO. | PART NO. | DESCRIPTION | NO. REQ'D | ITEM NO. | PART NO. | DESCRIPTION | NO. REQ'D |
|--|----------|---|-----------|---|----------|----------------------------|-----------|
| Spring and Pivot Mount Components | | | | Fasteners | | | |
| 1 | 5975-3 | Cable Tie (50# x 7") | 4 | F012 | | 3/8-16 Keps Nut | 2 |
| 2 | 5744-1 | Spring Clip Bracket | 1 | F014 | | 3/8-16 ESNA Nut | 2 |
| 3 | 5743-1 | Spring Cover | 2 | F020 | | 5/16-18 ESNA Nut | 2 |
| 4 | 5743-3 | Eyebolt, (3/8-16 x 2) | 2 | F047 | | 3/8-16 x 4-1/2 Hex Bolt | 2 |
| 5 | 5830-3 | Grease Fitting (45 Degree) | 4 | F055 | | 5/8 SAE Washer | 2 |
| 6 | 8466-10 | Pivot Mount, LH/Adj/ | 1 | F068 | | 1/8 x 1 Cotter Pin | 2 |
| 7 | 8466-20 | Pivot Mount, RH/Adj. | 1 | F084 | | 5/16 Wave Spring Washer | 2 |
| 8 | 5743-6 | Extension Spring (1-1/2 x 7-3/4) | 2 | F098 | | 5/8-18 Slotted Hex Nut | 2 |
| Carrier Frame Components | | | | F117 | | Retainer Ring | 2 |
| 9 | 8674-11 | Lever, Deck Lock, LH | 1 | F123 | | 1" External Snap Ring | 4 |
| 10 | 7406-1 | Handle Grip (Red) | 2 | F166 | | Retainer Ring | 4 |
| 11 | 8669 | Lift Handle | 1 | F226 | | 5/16-18 x 7/8 Hex Bolt | 2 |
| 12 | 5748-10 | Rubber Mat (1-1/2 x 6) | 2 | F317 | | 3/16 x 1 Split Spring Pin | 4 |
| 13 | 5740-2 | Deck Pin Bushing (5/8) | 4 | F335 | | 3/8-16 x 7/8 Set Screw, SS | 2 |
| 14 | 8661-2 | 48" Carrier Frame (Includes Item # 12) | 1 | F336 | | 3/8-16 Jam Nut | 2 |
| | 8661-1 | 48" Carrier Frame w/Forks (Includes Items # 12, 21-23, 25, F055, F068 & F098) | * | * Service Part Only | | | |
| 15 | 8674-10 | Lever, Deck Lock, RH | 1 | ** May be ordered as a factory-installed option or as a kit for dealer installation. Contact your Walker dealer. | | | |
| 16 | 5830 | Grease Fitting | 6 | NOTE: When installing Item # 8 on decks prior to S/N DX-62875, the swivel hook end should be attached to the deck carrier frame. | | | |
| Caster Wheel Components | | | | | | | |
| 17 | 5714-7 | Bearing Cap | 4 | | | | |
| 18 | 5714-5 | Bearing, Caster Wheel | 2 | | | | |
| 19 | 5715-4 | Caster Wheel, Pneu. (8 x 3.00-4) (Includes Items # 5, 17 & 18) | 2 | | | | |
| | 5715-10 | Tire, Pneumatic (8 x 3.00-4) | * | | | | |
| | 5715-9 | Tire Tube, Pneumatic (2.80/2.50-4) | * | | | | |
| | 5715-3 | Caster Wheel & Tire/No-Flat (8 x 3.00-4) | ** | | | | |
| | 5715-11 | Tire, Caster Wheel/No-Flat (8 x 3.00-4) | ** | | | | |
| 20 | 5714-3 | Axle Spacer Tube | 2 | | | | |
| 21 | 5770-1 | Caster Wheel Fork | 2 | | | | |
| 22 | 8768-1 | Seal | 2 | | | | |
| 23 | 8037 | Bearing, Cone | 4 | | | | |
| 24 | 8769-1 | Bearing Cup | 4 | | | | |
| 25 | 8769-9 | Dust Cap | 2 | | | | |

Use only genuine Walker® replacement parts.

Effective Date 03-01-06

48E INCH COMPLETE CARRIER FRAME ASSEMBLY (P/N 7700-2)



Refer to DGHS48E
DECK ASSEMBLY

DML42B DECK ASSEMBLY (P/N 5707-2)

| ITEM NO. | PART NO. | DESCRIPTION | NO. REQ'D | ITEM NO. | PART NO. | DESCRIPTION | NO. REQ'D | |
|-------------------------------------|----------|---|-----------|---|----------|---|---------------------|---|
| Gearbox and Drive Components | | | | 28 | 5705-11 | Blade, 22" (Upper Mulching) | 2 | |
| 1 | 8618-1 | Cover, PTO Shaft Guard | 1 | | 5705-12 | 42DML Blade Set W/Hubs (Includes Items # 26-28, F002 & F202) | * | |
| 2 | 8619 | PTO Shaft Guard | 1 | 29 | 7775-1 | Hitch Pin, LH (Silver) #6 | 2 | |
| | 8618 | PTO Shaft Guard Assembly (Includes Items # 1, 2, F002 & F025) | * | 30 | 8735-10 | Rubber Mat (5 x 6) | 2 | |
| 3 | 5285-3 | U-Joint Shaft, 90 Degree (14-7/8) (Includes Items # 21, F069 & F295) | 1 | 31 | 8788-1 | Rubber Mat (1 x 2) | 1 | |
| 4 | 7275-16 | U-Joint Tube Assy, Spline | 1 | 32 | 5701-11 | DML42A Deck Housing (Includes Items # 30 & 31) | 1 | |
| 5 | 5275-15 | U-Joint Tube Assy (9.5" OAL), Spline (Includes Item # F076) | 1 | 33 | 7775-2 | Hitch Pin, RH (Gold) #6 | 2 | |
| 6 | 5704-54 | 42" Mulch Gearbox and Tube Assembly, Heavy Duty (Includes Items # 7-16, F136, F179, F211 & F229) | 1 | 34 | 5727-1 | Washer Shim (5/8 ID) | 4 | |
| 7 | 6054 | Spline Coupling | 4 | Fasteners | | | | |
| 8 | P007 | Gasket, Cap (Peerless #788030) | 4 | | F002 | 10-24 Keps Nut | 6 | |
| 9 | 5063 | Gearbox Connector Tube (8-5/8) | 1 | | F004 | 1/4-20 Keps Nut | 2 | |
| 10 | 6732-3 | Connecting Shaft (6-1/4) | 1 | | F013 | 3/8-16 Whiz Locknut | 2 | |
| 11 | 5052-5 | Heavy Duty Gearbox (LH Rotation) | 1 | | F025 | 10-24 x 3/8 PPHMS | 2 | |
| 12 | 5704-1 | Gearbox Cover Support | 2 | | F029 | 1/4-20 x 1/2 Hex Bolt | 2 | |
| 13 | 5051-6 | Tee Gearbox, Shear | 1 | | F038 | 3/8-16 x 1 Hex Bolt | 4 | |
| 14 | 6732-1 | Connecting Shaft (2") | 1 | | F050 | 1/4 SAE Washer | 4 | |
| 15 | 5062 | Gearbox Connector Tube (4-3/8) | 1 | | F056 | 5/8 Split Lock Washer | 2 | |
| 16 | 5053-5 | Heavy Duty Gearbox (RH Rotation) | 1 | | F059 | 3/8 Wave Spring Washer | 2 | |
| 17 | 5052-3 | 1.375 x .750 x .187 Washer | 4 | | F069 | 3/32 x 1/2 Cotter Pin | 1 | |
| 18 | 5747-11 | Rubber Mat (3 x 6) | 2 | | F076 | 3/8-16 x 5/8 SQH Set Screw | * | |
| 19 | 5785-5 | 42" Gearbox Cover (Includes Item # 18) | 1 | | F136 | AN960C416L Washer | 16 | |
| 20 | 5830 | Grease Fitting | 1 | | F179 | 1/4-20 x 1 Hex Bolt | 4 | |
| 21 | 8067-13 | Shear Pin w/Cotter (Set of 5) (Includes Item # F069) | * | | F202 | 10-24 x 5/8 SHC Screw, GR5 SS | 4 | |
| Deck Housing Components | | | | | | F206 | #2 x 3/16 Drive Pin | 2 |
| 22 | 8670 | Tilt-Up Hook | 1 | | F211 | 1/4-20 x 7/8 Hex Bolt | 12 | |
| 23 | 9772 | Roller Wheel Assembly (2-1/2) (Includes Item # F059) | 2 | | F229 | C-Clip (13/16) | 4 | |
| 24 | 8490 | Roller Wheel Axle Bolt | 2 | | F246 | 1/4-20 x 1/2 PTHMS | 2 | |
| 25 | NS | Deck Serial Number Plate | 1 | | F278 | 3/8 Split Lock Washer | 4 | |
| 26 | 5706 | Blade Hub & Trash Guard | 2 | | F295 | 3/16 x 1-1/2 Split Spring Pin | 1 | |
| 27 | 5705-10 | Blade, 21" (Lower Mulching) | 2 | | F403 | 1/4-20 x 1/2 PTHMS, SS | 2 | |
| | | | | | F404 | 5/8-18 Jam Nut | 2 | |
| | | | | * Service Part Only | | | | |
| | | | | NOTE: Order Item # 4 to use the splined deck PTO shaft with Model MT, MD, MC, MW and MBK. | | | | |
| | | | | NOTE: Order Item # 5 to use the splined deck PTO shaft with Model MS and MBV. | | | | |

Use only genuine **Walker**® replacement parts.

Effective Date 09-22-10

DML42B DECK ASSEMBLY (P/N 5707-2)

