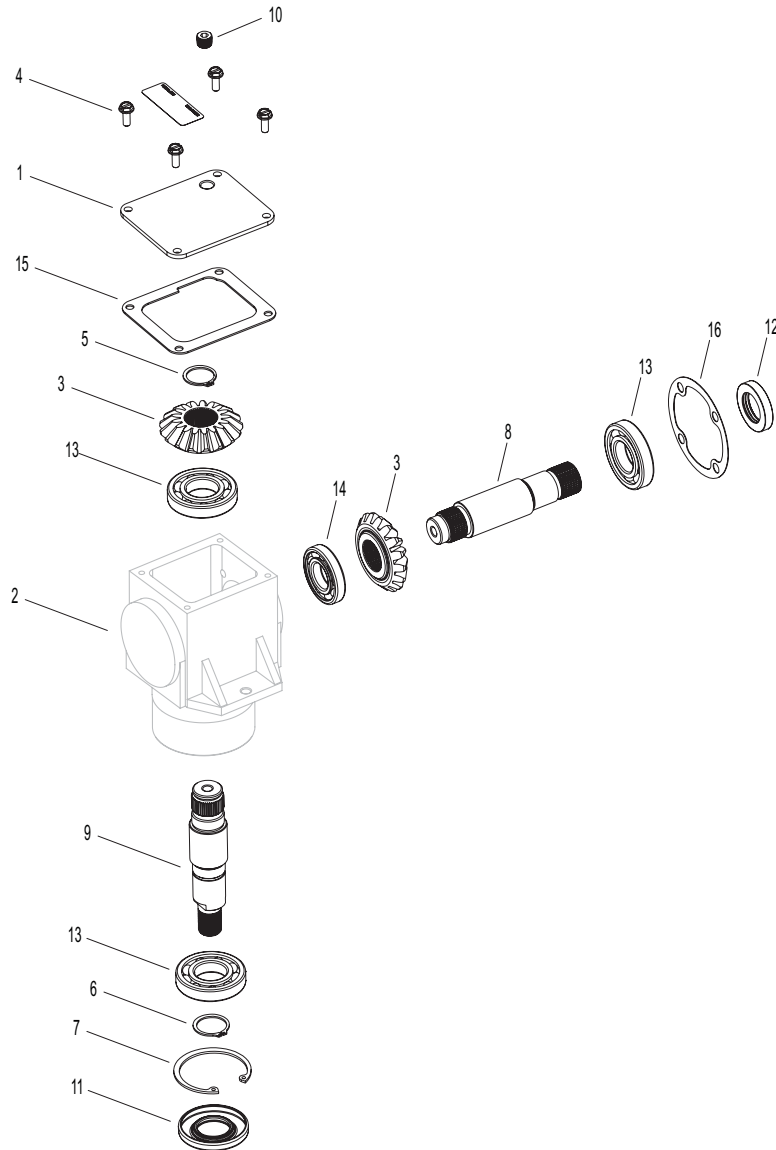


WALKER MANUFACTURING COMPANY

ALUMINUM PEERLESS GEARBOX 1000-074 (WALKER P/N 5052-10)

For 42" & 48" European Decks



Return to
Identification Page

ITEM NO.	WALKER PART NO.	PEERLESS PART NO.	DESCRIPTION	NO. REQ'D
1	P018	772067	Cover, LH	1
2	N/A	770092A	Right Angle Drive Housing	1
3	P003	778101	Miter Gear (17 teeth-steel)	2
4	P008	792025	Screw, RD/HD Self-Tap	4
5	P032	788018	Snap Ring, Gear Retainer	1
6	P028	788019	Snap Ring	1
7	P016	792119	Snap Ring	1
8	P011	776041A	Input Shaft	1
9	P055	6054-P1	Output Shaft (4-5/8)	1
10	P041	28534	Plug, Cover	1
11	P001	788029	Seal, Oil (Federal-Mogel)	1
12	P021	788031	Seal, Oil	1
13	P024	780034	Ball Bearing	3
14	P019	780024	Ball Bearing	1
15	P004	788028	Gasket Cover	1
16	P007	788030	Gasket, Cap	1

Return to
Identification Page

This Gearbox is used in the following applications:
 (RH and LH indicate view from operator seat)

- DGHS42E RH Gearbox
- DGHS42E LH Gearbox
- DGHS48E RH Gearbox
- DGHS48E LH Gearbox