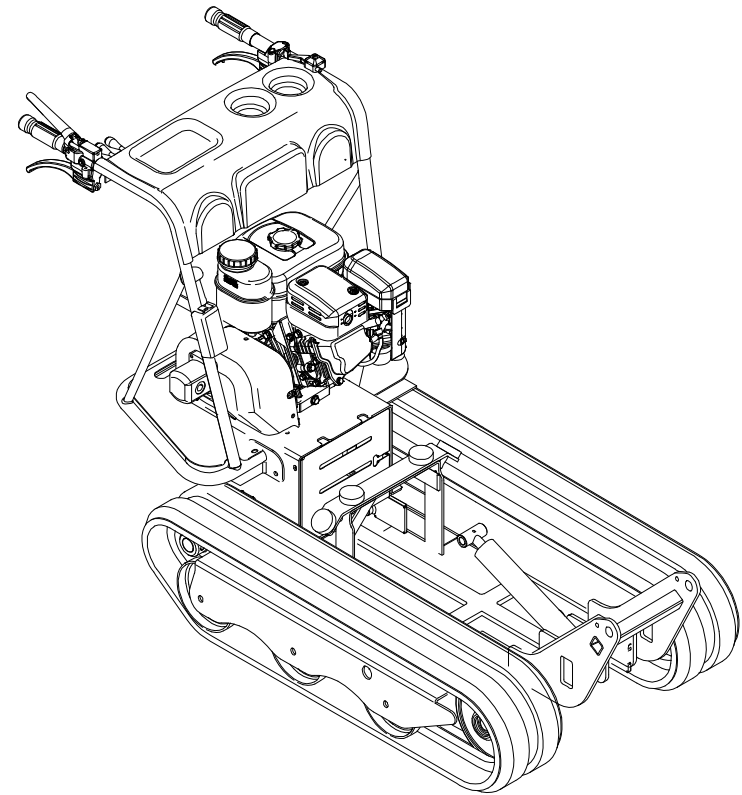


**Mod. MINITRANSPORTER
MECH 55 2'Vers.**

Cod. 123360..

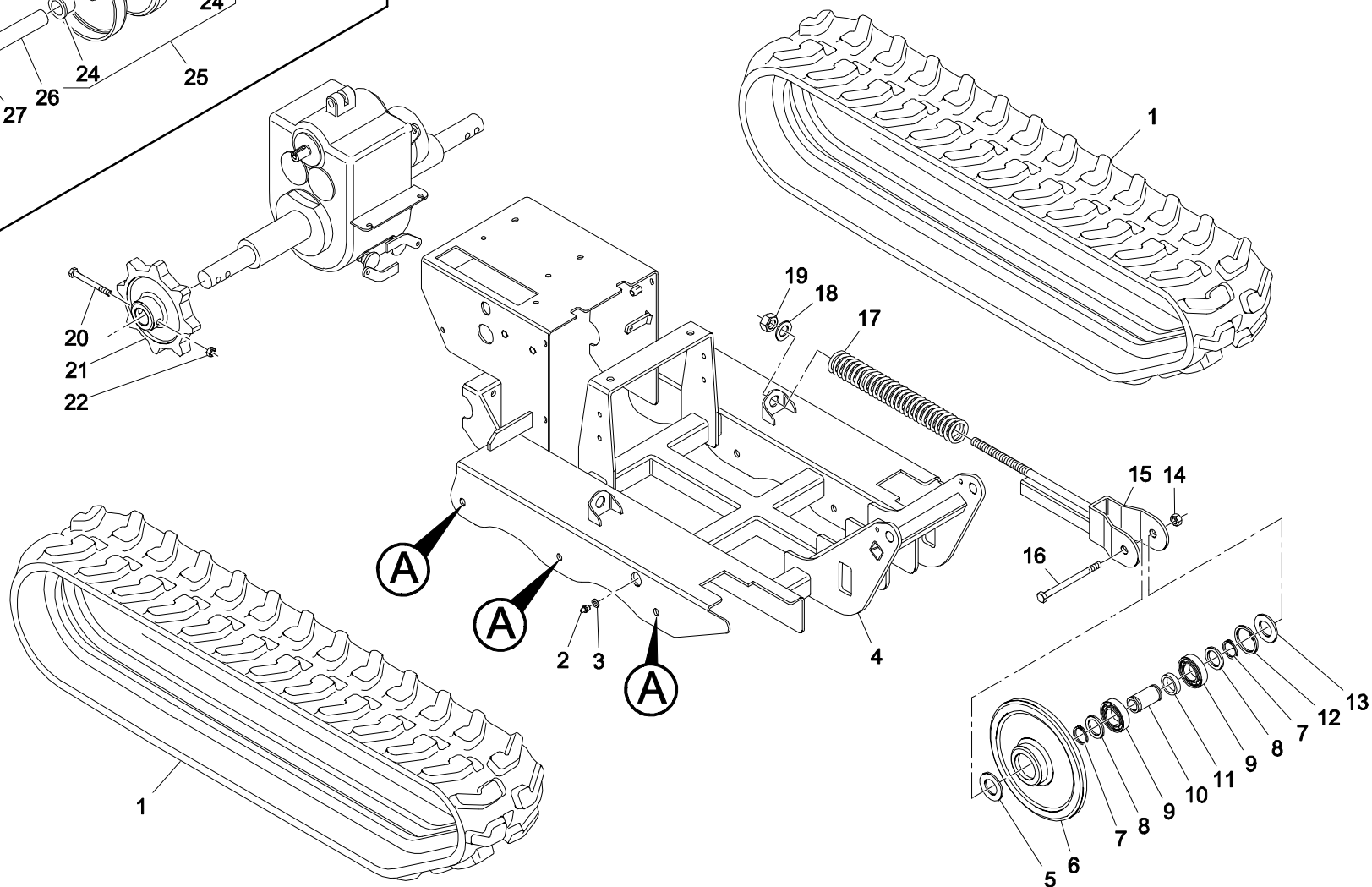
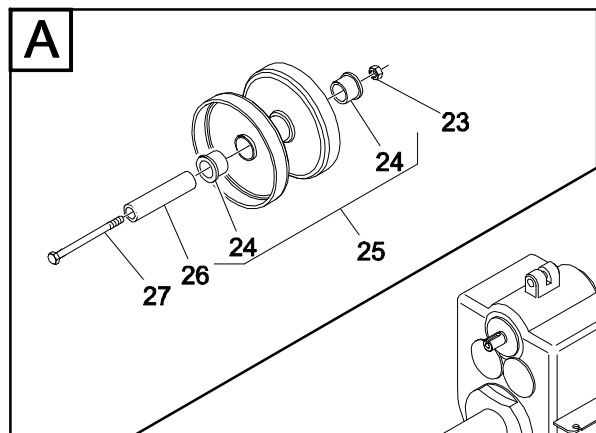
FORT[®]


PARTI DI RICAMBIO
SPARE PARTS
PIECES DE RECHANGE
ERSATZTEILLISTE
PIEZAS DE REPUESTO

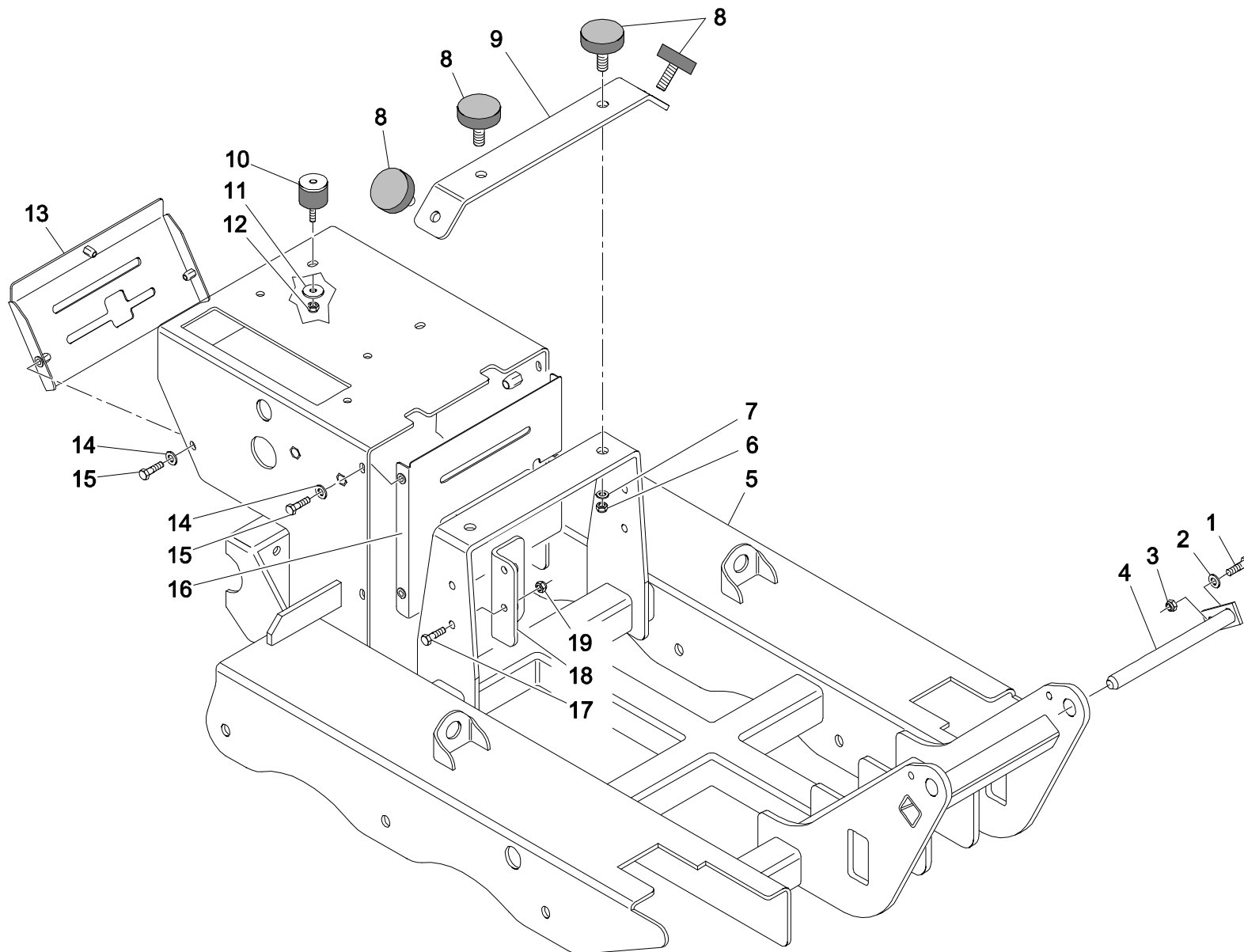



Mod. MINITRANSPORTER MECH 55 2'VERS.
Cod. 123360..

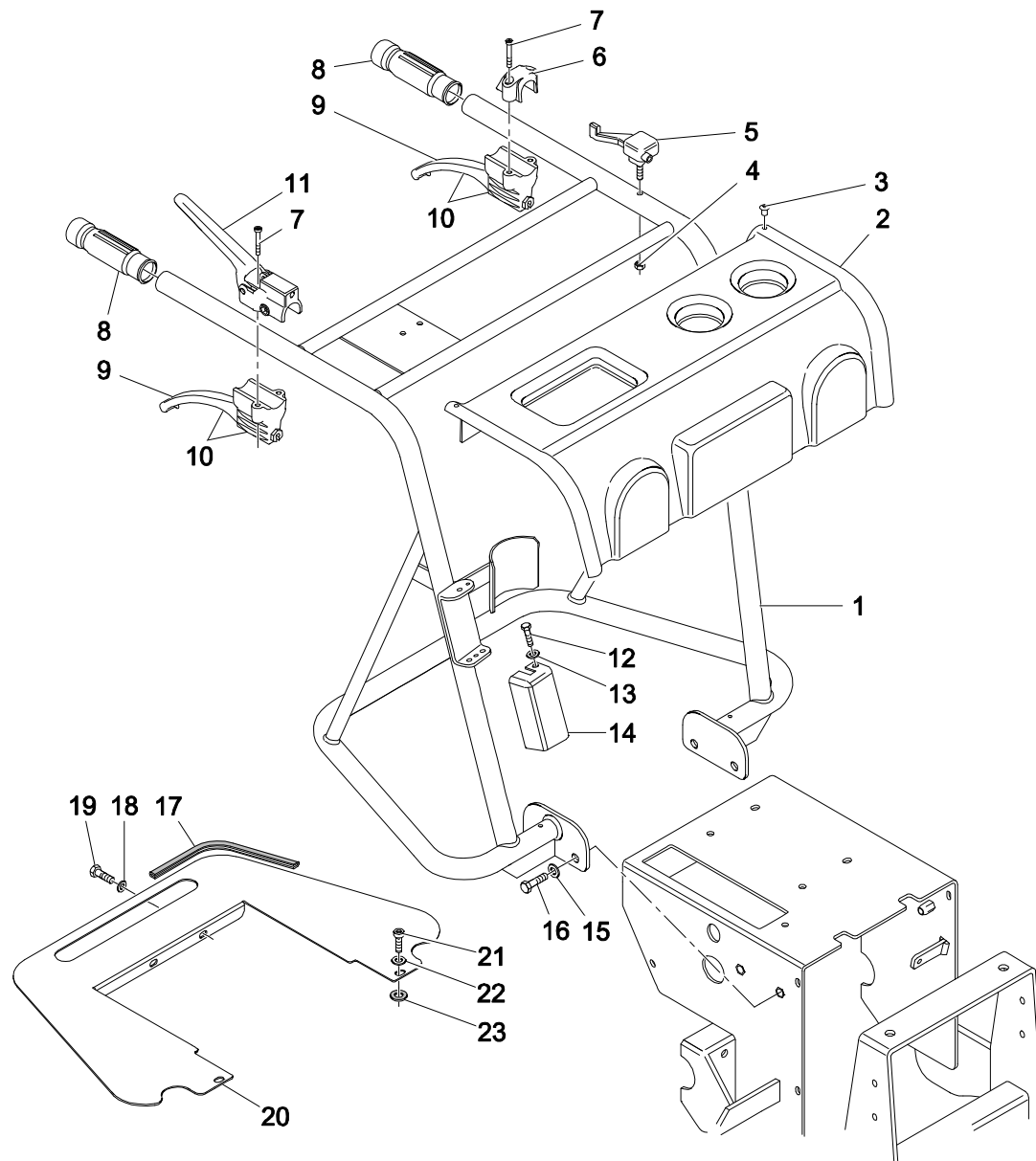
Tab.	01	TELAIO	FRAME	CHASSIS	RAHMEN
Tab.	02	CARROZZERIA	FAIRING	CARENAGE	KAROSSERIE
Tab.	03	STEGOLE DI GUIDA	HANDLEBARS	MANCHERONS	FÜHRUNGSHOLM
Tab.	04A	MOTORE	ENGINE	MOTEUR	MOTOR
Tab.	04B	MOTORE-POMPA	ENGINE-PUMP	MOTEUR-POMPE	MOTOR-PUMPE
Tab.	05	COMANDI	DRIVES	COMMANDES	ANTRIEBEN
Tab.	06	IMPIANTO IDRAULICO	HYDRAULIC EQUIPMENT	INSTALLATION HYDRAULIQUE	HYDRAULISCHE ANLAGE




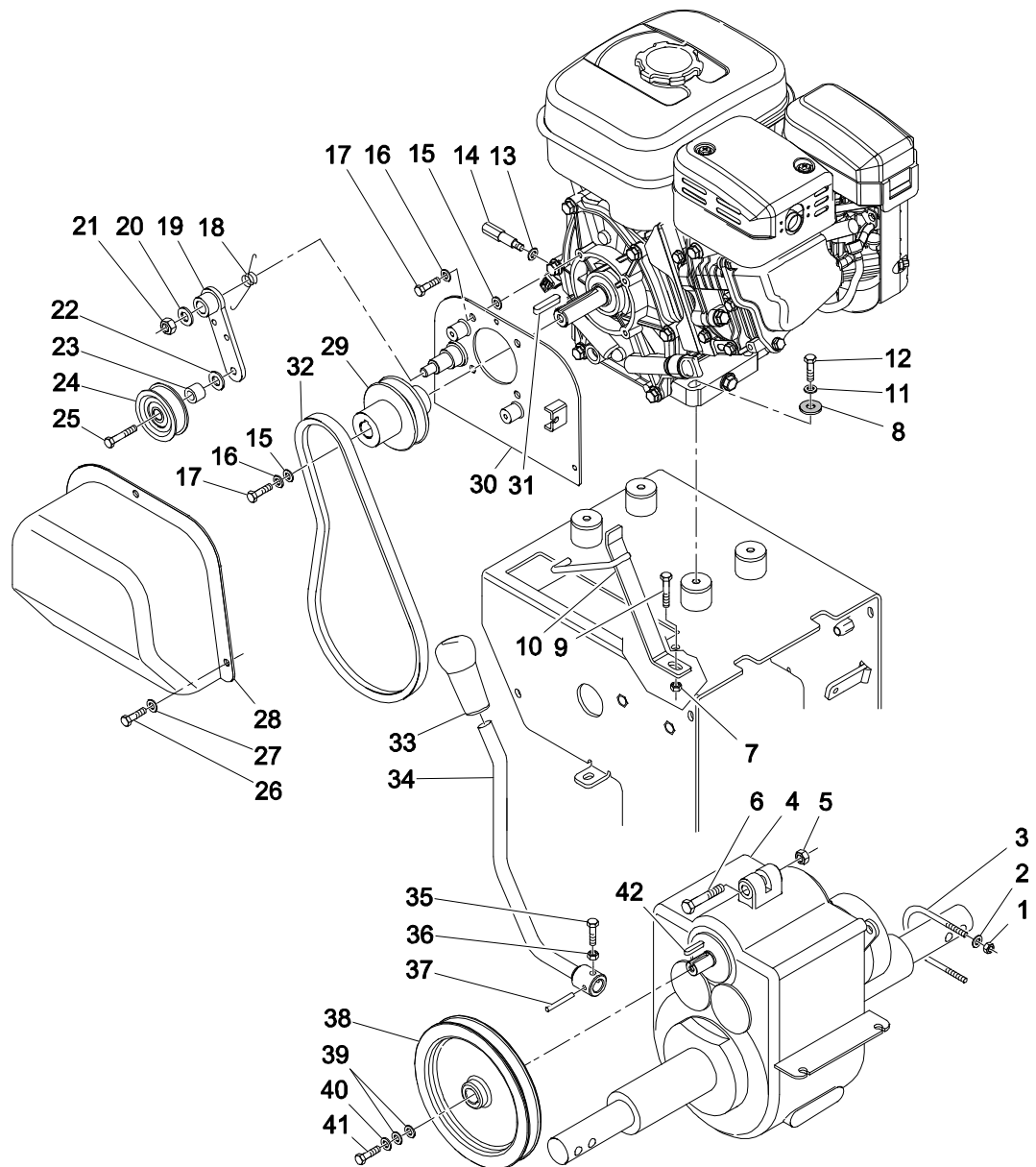
TAB. 01		TELAIO - FRAME CHASSIS - RAHMEN				
REF.	Q.	COD.	DESCRIZIONE (IT)	DESCRIPTION (EN)	DESCRIPTION (FR)	BENENNUNG (DE)
01	02	12329951	CINGOLO IN GOMMA 180X60X38	TRACK	CHENILLE	RAUPEN
02	02	19956203	INGRASS. M8X1,25 DRITTO ZB.	GREASE NIPPLE	GRAISSEUR	SCHMIERNIPPLE
03	04	19955052	ROND.PIANA D.8X16X1,5 ZN.B. UNI6592	PLAIN WASHER	RONDELLE	SCHEIBE
04	01	15895017	TELAIO CARRO MINITRANS. F550 2' VER	FRAME BODY	CHASSIS	GESTELL
05	02	15685019	PARAPOL. X RULLO ANTER. D.25X42X1,5	DUST PROTECTION	PARAPOUSSIÈRE	STAUBSCHUTZ
06	02	15533001	RUOTA TENDICINGOLO X F300	WHEEL	ROUE	RAD
07	04	19955525	ANELLO ELASTICO E25 UNI 7435	LOCKRING	ARRETOIR	SICHERUNGSRING
08	04	19956049	SPESSORE ACC. 25-41,5-1	SHIM	CALE D'ÉPAISSEUR	DISTANZSCHEIBE
09	04	19902327	CUSCIN. 6205-2RS 2F	BEARING	ROULEMENT	KUGELLAGER
10	02	15685003	DISTANZ. D.12,5xD.25x55 MINIT. F650	SPACER	ENTRETOISE	DISTANZSTÜCK
11	02	15535013	DISTANZ. D.25,7xD.33,7x8 ZB.	SPACER	ENTRETOISE	DISTANZSTÜCK
12	02	19955652	ANELLO ELASTICO I52 UNI 7437	LOCKRING	ARRETOIR	SICHERUNGSRING
13	02	15685018	PARAPOL. X RULLO ANTER. D.25X52X1,5	DUST PROTECTION	PARAPOUSSIÈRE	STAUBSCHUTZ
14	02	19954212	DADO AUTOBL. M12 ZN ALTO DIN 982	NUT	ECROU	MUTTER
15	02	15685002	SUPP. RUOTA TENDICIN. F650	SUPPORT	SUPPORT	HALTERUNG
16	02	19952658	VITE TE M12X90 ZN B. UNI 5737	SCREW	VIS	SCHRAUBE
17	02	15677001	MOLLA DI COMPRES. TENDICINGOLO	SPRING	RESSORT	FEDER
18	04	19955058	ROND.PIANA D.20X37X3 ZN.B. UNI6592	PLAIN WASHER	RONDELLE	SCHEIBE
19	02	19954011	DADO ESAG. M20X2,5 Z ALTO UNI 5587	NUT	ECROU	MUTTER
20	02	19952644	VITE TE M10X65 ZN B. UNI 5737	SCREW	VIS	SCHRAUBE
21	02	15315024	RUOTA MOTRICE DENTATA Z=8 PASSO=60	DRIVEN WHEEL	ROUE MOTRICE	TREIBRAD
22	02	19954255	DADO AUTOBL. M10 ZN BASSO DIN 985	NUT	ECROU	MUTTER
23	06	19954212	DADO AUTOBL. M12 ZN ALTO DIN 982	NUT	ECROU	MUTTER
24	12	19903517	BOCCOLA FLANGIATA J4FM 25-32-25	BUSH	DOUILLE	BÜCHSE
25	06	15895008	RULLO D.115 C/BOCCOLE MINITR. F570	ROLLER	GALET	ROLLE
26	06	15675019	DISTANZ. D.12,5xD.25x131 F500	SPACER	ENTRETOISE	DISTANZSTÜCK
27	06	19952680	VITE TE M12X160 ZN B. UNI 5737	SCREW	VIS	SCHRAUBE




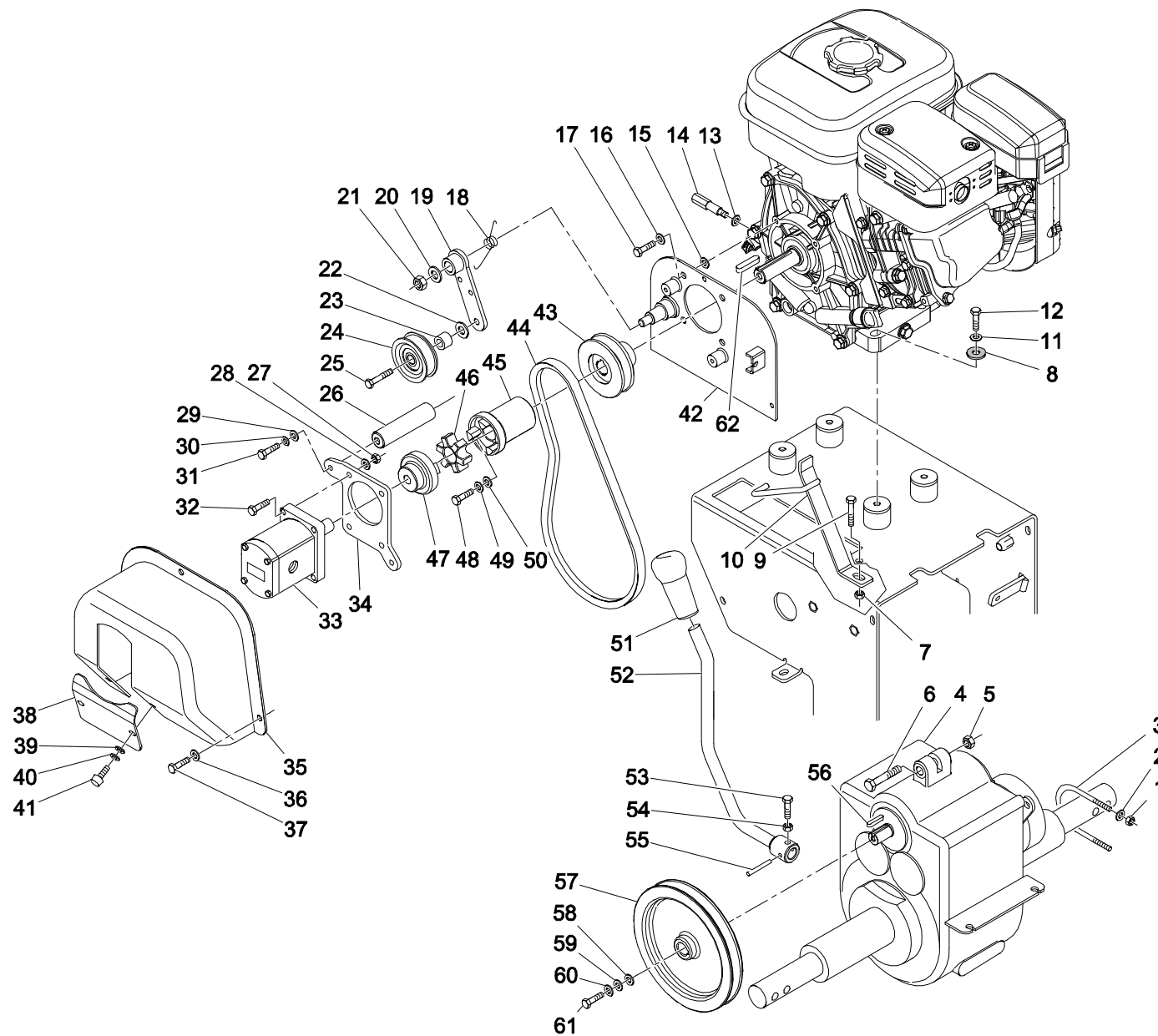
TAB. 02		CARROZZERIA - FAIRING CARENAGE - KAROSSERIE					
REF.	Q.	COD.	DESCRIZIONE (IT)	DESCRIPTION (EN)	DESCRIPTION (FR)	BENENNUNG (DE)	
01	01	19952729	VITE TE M8X25 ZN B. UNI 5739	SCREW	VIS	SCHRAUBE	
02	01	19955052	ROND.PIANA D.8X16X1,5 ZN.B. UNI6592	PLAIN WASHER	RONDELLE	SCHEIBE	
03	01	19953908	DADO ESAG. M8 C/ROND. ZN B.	NUT	ECROU	MUTTER	
04	01	15675018	PERNO X BLOCCO DUMPER MINITR. F500	PIN	AXE	BOLZEN	
05	01	15895017	TELAIO CARRO MINITRANS. F550 2' VER	FRAME BODY	CHASSIS	GESTELL	
06	04	19954007	DADO ESAG. M12 ZN B. ALTO UNI 5587	NUT	ECROU	MUTTER	
07	04	19955275	ROSETTA ELAS.D.12 ZB RINF DIN 128B	SPRING WASHER	RONDELLE ELASTIQUE	FEDERSCHREIBE	
08	04	14680604	PARACOLPI GOMMA C/PIEDE M12 15X50	BUFFER	BOUTOIR	PUFFER	
09	01	15515025	RIGA SUPP. GOMMINI MINITRANS.	SUPPORT	SUPPORT	HALTERUNG	
10	04	14680415	SILENTBLOCK M8xD.40xH.20 45 shore	SILENTBLOCK	SILENTBLOCK	SILENTBLOCK	
11	04	19955009	ROND.PIANA D.8X24X2,5 ZN.B. UNI6593	PLAIN WASHER	RONDELLE	SCHEIBE	
12	04	19954208	DADO AUTOBL. M8 ZN ALTO DIN 982	NUT	ECROU	MUTTER	
13	01	15535017	COPERCHIO POSTERIORE CAMBIO	COVER	COUVERCLE	DECKEL	
14	07	19955007	ROND.PIANA D.6X18X1,5 ZN.B. UNI6592	PLAIN WASHER	RONDELLE	SCHEIBE	
15	07	19952720	VITE TE M6X20 ZN B. UNI 5739	SCREW	VIS	SCHRAUBE	
16	01	15535016	COPERCHIO ANTERIORE CAMBIO	COVER	COUVERCLE	DECKEL	
17	02	19951718	VITE TE M8X20 C/ROND. ZIGRIN. ZN B.	SCREW	VIS	SCHRAUBE	
18	01	15685007	PIASTR. DX INNES. RAPIDI 1/2" F650	PLATE	PLAQUE	PLATTE	
19	02	19953908	DADO ESAG. M8 C/ROND. ZN B.	NUT	ECROU	MUTTER	





TAB. 03		STEGOLE DI GUIDA - HANDLEBARS MANCHERONS - FÜHRUNGSHOLM					
REF.	Q.	COD.	DESCRIZIONE (IT)	DESCRIPTION (EN)	DESCRIPTION (FR)	BENENNUNG (DE)	
01	01	15535113	STEGOLE DI GUIDA MECH 55	HANDLEBARS	MANCHERONS	FÜHRUNGSHOLM	
02	01	15536005	CARTER STEGOLA MECH 55	COVER	COUVERCLE	DECKEL	
03	04	14680112	RIVETTO DI FISSAGGIO A VITE D.8	RIVET	RIVET	NIET	
04	01	19954206	DADO AUTOBL. M6 ZN ALTO DIN 982	NUT	ECROU	MUTTER	
05	01	14660201	MANETTINO GAS DX M6X75 FONDO ALTO	LEVER, THROTTLE	ACCELERATEUR	GASHEBEL	
06	01	14680126	BLOCCH. SUPP. LEVA IN PLASTICA D.27	SUPPORT	SUPPORT	HALTERUNG	
07	04	14680127	VITE X BLOCCH. SUPP. LEVA IN PLAST.	SCREW	VIS	SCHRAUBE	
08	02	14680376	MANOPOLA D.27 S/COLLARINO	GRIP	POIGNEE	HANDGRIFF	
09	02	1753800101	LEVA PLAST. (SENZA SUPPORTO)	LEVER (W/OUT SUPPORT)	LEVIER (SANS SUPPORT)	HEBEL (OHNE HALTERUNG)	
10	02	17538001	LEVA X C/DO STERZATA (SENZA TRASMIS.)	LEVER (W/OUT WIRE)	LEVIER (SANS CABLE)	HEBEL (OHNE SEILZUG)	
11	01	17538004	LEVA X C/DO DOPPIO (SENZA TRASMIS.)	LEVER (W/OUT WIRE)	LEVIER (SANS CABLE)	HEBEL (OHNE SEILZUG)	
12	02	19952714	VITE TE M6X16 ZN B. UNI 5739	SCREW	VIS	SCHRAUBE	
13	02	19955007	ROND.PIANA D.6X18X1,5 ZN.B. UNI6592	PLAIN WASHER	RONDELLE	SCHEIBE	
14	01	15536002	COPERCHIETTO COPRI FILI F300	COVER	COUVERCLE	DECKEL	
15	04	19952730	VITE TE M10X25 ZN B. UNI 5739	SCREW	VIS	SCHRAUBE	
16	04	19955274	ROSETTA ELAS.D10 ZB. RINF. DIN 128B	SPRING WASHER	RONDELLE ELASTIQUE	FEDERSCHREIBE	
17	1,1	14680708	BORDINO ANIMATO (MT)	GUARD (MT)	PROTECTION (MT)	SCHUTZ (MT)	
18	02	19955007	ROND.PIANA D.6X18X1,5 ZN.B. UNI6592	PLAIN WASHER	RONDELLE	SCHEIBE	
19	02	19952720	VITE TE M6X20 ZN B. UNI 5739	SCREW	VIS	SCHRAUBE	
20	01	15535112	PROTEZIONE INFERIORE MECH 55	GUARD	PROTECTION	SCHUTZ	
21	02	19952006	VITE TBEI M6X16 ZN. B UNI 7380	SCREW	VIS	SCHRAUBE	
22	02	19955008	ROND.PIANA D.6X24X2 ZN.B. UNI6592	PLAIN WASHER	RONDELLE	SCHEIBE	
23	02	19956177	ROND. GOMMA D.8X24X2	RUBBER RING	CAOUTCHOUC	GUMMIRING	

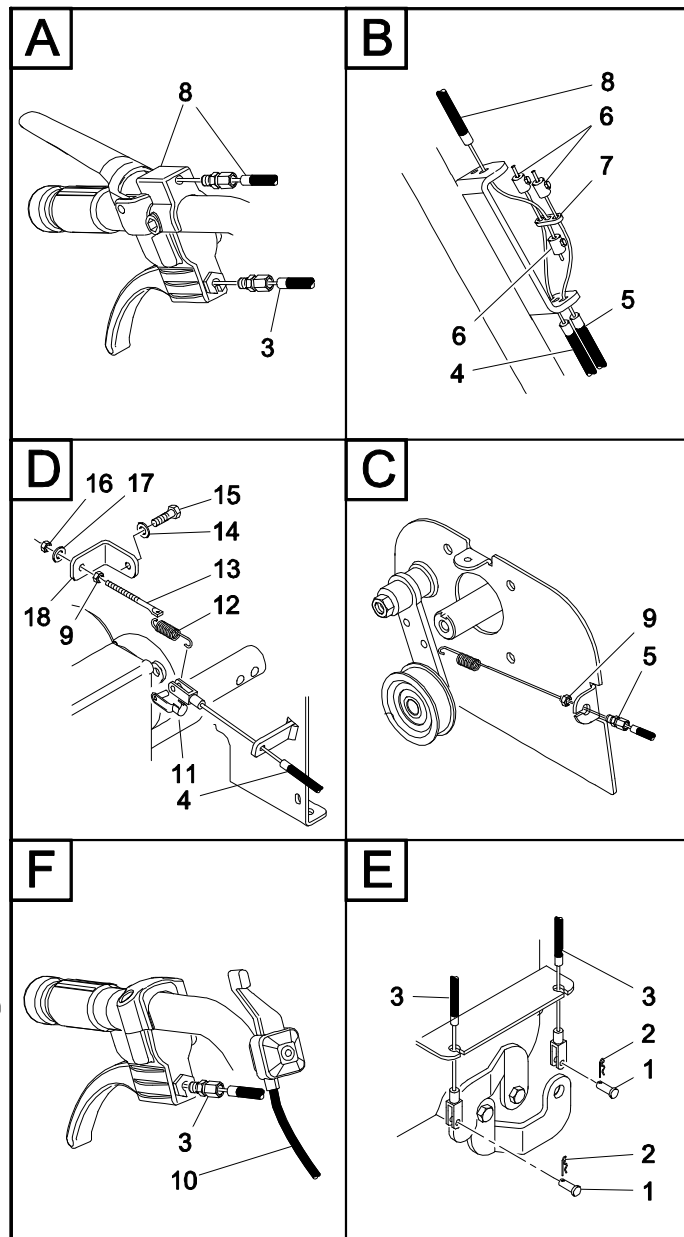
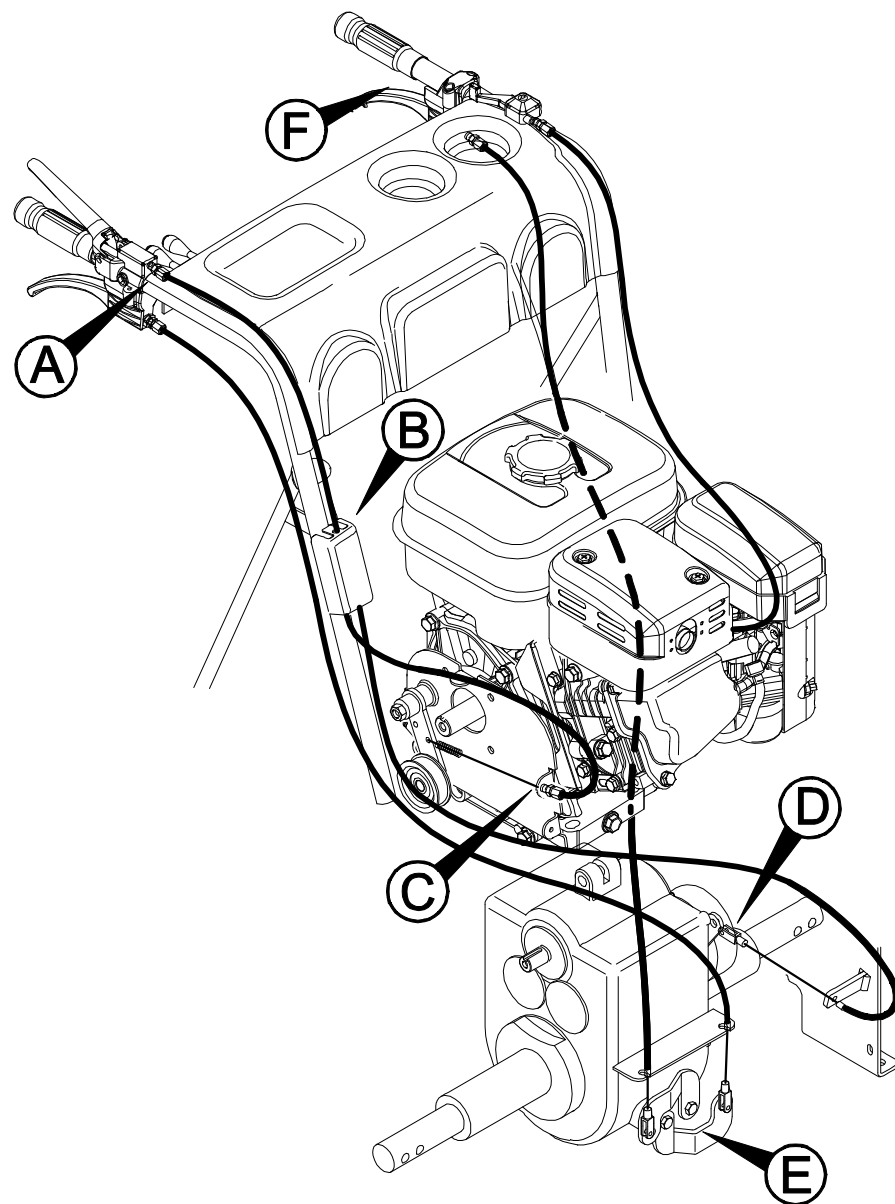



TAB. 04A		MOTORE - ENGINE MOTEUR - MOTOR				
REF.	Q.	COD.	DESCRIZIONE (IT)	DESCRIPTION (EN)	DESCRIPTION (FR)	BENENNUNG (DE)
01	04	19954210	DADO AUTOBL. M10 ZN ALTO DIN 982	NUT	ECROU	MUTTER
02	04	19955053	ROND.PIANA D.10X21X2 ZN.B. UNI6592	PLAIN WASHER	RONDELLE	SCHEIBE
03	02	15535007	TIRANTE AD U BLOCCO CAMBIO F300	TIE-ROD	TIRANT	SPANNBOLZEN
04	01	15535000	CAMBIO 3 VELOCITA' + 1 RM	GEARBOX	CHANGEMENT DE VITESSE	GETRIEBE
05	01	19954255	DADO AUTOBL. M10 ZN BASSO DIN 985	NUT	ECROU	MUTTER
06	01	19952644	VITE TE M10X65 ZN B. UNI 5737	SCREW	VIS	SCHRAUBE
07	01	19953908	DADO ESAG. M8 C/ROND. ZN B.	NUT	ECROU	MUTTER
08	06	19955009	ROND.PIANA D.8X24X2,5 ZN.B. UNI6593	PLAIN WASHER	RONDELLE	SCHEIBE
09	01	19951718	VITE TE M8X20 C/ROND. ZIGRIN. ZN B.	SCREW	VIS	SCHRAUBE
10	01	15535011	GUIDACINGHIA CAMBIO X MECH	BELT DRIVE	GUIDE-COURROIE	RIEMENFÜHRUNG
11	04	19955408	DISCO ELASTICO D.8	SPRING WASHER	RONDELLE ELASTIQUE	FEDERSCHREIBE
12	04	19952737	VITE TE M8X30 ZN B. UNI 5739	SCREW	VIS	SCHRAUBE
13	01	19957305	RONDELLA RAME 10mm.	WASHER	RONDELLE	SCHEIBE
14	01	15315162	PROLUNGA TAPPO OLIO MOTORE BENZ.	EXYTENSION	RALLONGE	VERLÄNGERUNG
15	05	19955009	ROND.PIANA D.8X24X2,5 ZN.B. UNI6593	PLAIN WASHER	RONDELLE	SCHEIBE
16	05	19955408	DISCO ELASTICO D.8	SPRING WASHER	RONDELLE ELASTIQUE	FEDERSCHREIBE
17	05	19950101	VITE TE 5/16-24 X 3/4 UNF	SCREW	VIS	SCHRAUBE
18	01	15001054	MOLLA PICCOLA RIC. TENDICIN. GREZZA	SPRING	RESSORT	FEDER
19	01	15885012	TENDITORE GALOPPINO PTO MINIHYDRO	LEVER	LEVIER	HEBEL
20	01	19955053	ROND.PIANA D.10X21X2 ZN.B. UNI6592	PLAIN WASHER	RONDELLE	SCHEIBE
21	01	19954210	DADO AUTOBL. M10 ZN ALTO DIN 982	NUT	ECROU	MUTTER
22	01	19955012	ROND.PIANA D.12X24X2,5 ZN.B. UNI6592	PLAIN WASHER	RONDELLE	SCHEIBE
23	01	15315104	DISTANZ. SP.6 X LEVA TENDIT. RM	SPACER	ENTRETOISE	DISTANZSTÜCK
24	01	15855031	GALOPPINO TENDIC. D.54 A 2 LABBRA	PULLEY	POULIE	RIEMENSCHLEIBE
25	01	19952731	VITE TE M12X25 ZN B. UNI 5739	SCREW	VIS	SCHRAUBE
26	03	19952714	VITE TE M6X16 ZN B. UNI 5739	SCREW	VIS	SCHRAUBE
27	03	19955007	ROND.PIANA D.6X18X1,5 ZN.B. UNI6592	PLAIN WASHER	RONDELLE	SCHEIBE
28	01	15536004	CARTER COPRI CINGHIA MECH55 MANUALE	COVER	COUVERCLE	DECKEL
29	01	15531001	PULEGGIA MOTORE X MECH MANUALE	PULLEY	POULIE	RIEMENSCHLEIBE
30	01	15895006	PIASTRA MOTORE MINITRANSP. MECH	PLATE	PLAQUE	PLATTE
31	01	19956347	LINGUETTA 4,75X4,75X50	SPLINE	CLAVETTE	KEIL
32	01	14681063	CINGHIA X13x820 6T6K	BELT	COURROIE	RIEMEN
33	01	14660193	POMELLO MARCE D.14	KNOB	BOUTON	KNEBELGRIF
34	01	15535008	LEVA ESTERNA CAMBIO MECH	LEVER	LEVIER	HEBEL
35	01	19952715	VITE TE M8X16 ZN B. UNI 5739	SCREW	VIS	SCHRAUBE
36	01	19954045	DADO ESAG. M8 ZN B. NORM. UNI 5588	NUT	ECROU	MUTTER
37	01	19955730	SPINA ELASTICA 5X26 SPIR. UNI 6875	ROLL PIN	GOUPILLE ELAST.	STIFT
38	01	15531002	PULEGGIA CONDOTTA CAMBIO MECH	PULLEY	POULIE	RIEMENSCHLEIBE
39	02	19955008	ROND.PIANA D.6X24X2 ZN.B. UNI6592	PLAIN WASHER	RONDELLE	SCHEIBE
40	01	19955257	ROSETTA ELAS.D.6 RINFORZ. DIN 127/B	SPRING WASHER	RONDELLE ELASTIQUE	FEDERSCHREIBE
41	01	19952714	VITE TE M6X16 ZN B. UNI 5739	SCREW	VIS	SCHRAUBE
42	01	19956316	LINGUETTA 5X5X20 UNI 6604	SPLINE	CLAVETTE	KEIL

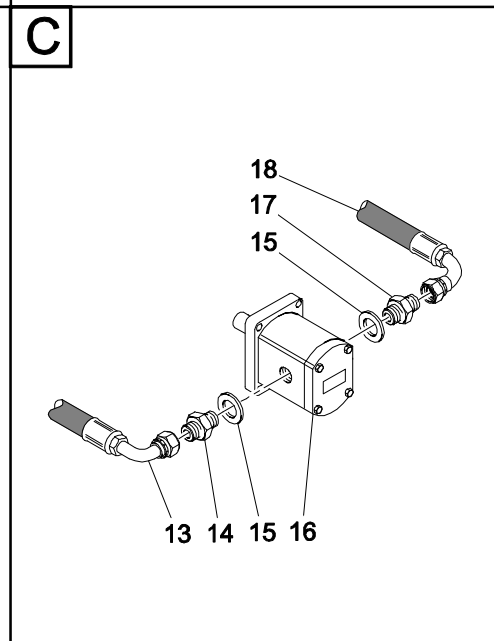
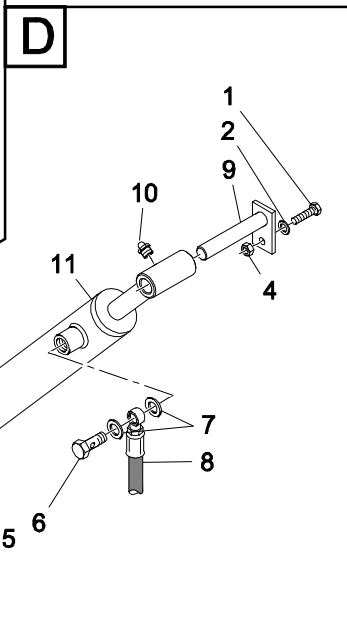
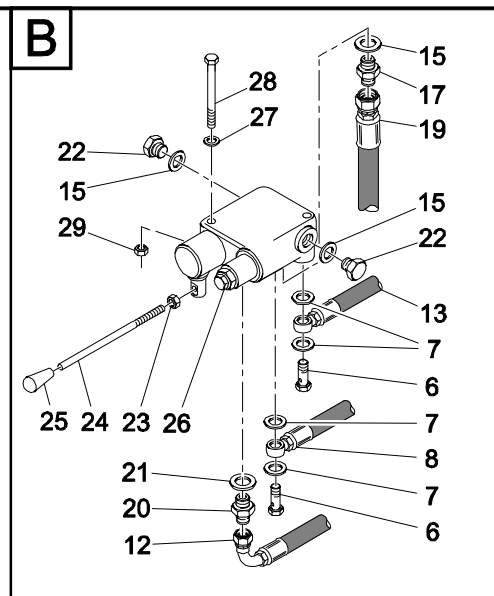
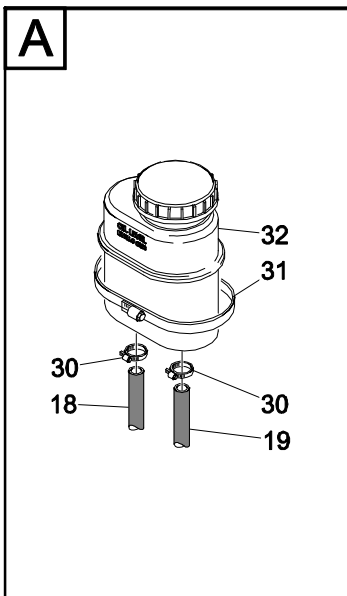
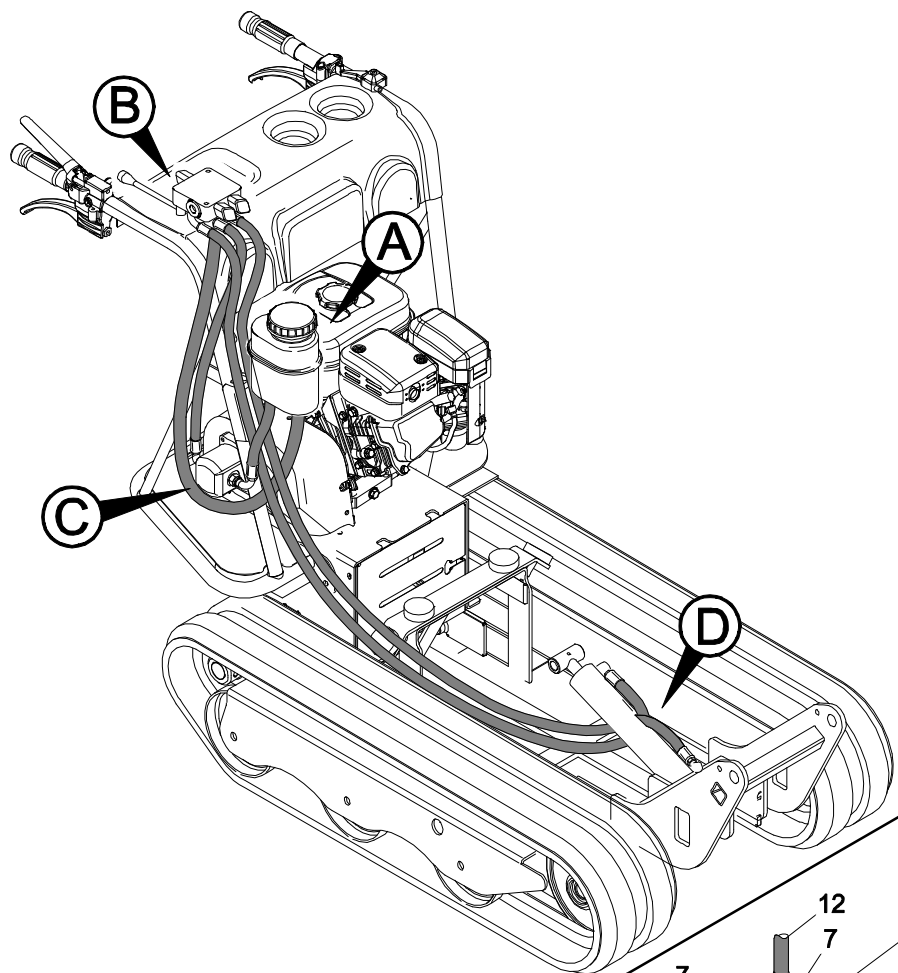


TAB. 04B		MOTORE-POMPA - ENGINE-PUMP MOTEUR-POMPE - MOTOR-PUMPE				
REF.	Q.	COD.	DESCRIZIONE (IT)	DESCRIPTION (EN)	DESCRIPTION (FR)	BENENNUNG (DE)
01	04	19954210	DADO AUTOBL. M10 ZN ALTO DIN 982	NUT	ECROU	MUTTER
02	04	19955053	ROND.PIANA D.10X21X2 ZN.B. UNI6592	PLAIN WASHER	RONDELLE	SCHEIBE
03	02	15535007	TIRANTE AD U BLOCCO CAMBIO F300	TIE-ROD	TIRANT	SPANNBOLZEN
04	01	15535000	CAMBIO 3 VELOCITA' + 1 RM	GEARBOX	CHANGEMENT DE VITESSE	GETRIEBE
05	01	19954255	DADO AUTOBL. M10 ZN BASSO DIN 985	NUT	ECROU	MUTTER
06	01	19952644	VITE TE M10X65 ZN B. UNI 5737	SCREW	VIS	SCHRAUBE
07	01	19953908	DADO ESAG. M8 C/ROND. ZN B.	NUT	ECROU	MUTTER
08	06	19955009	ROND.PIANA D.8X24X2,5 ZN.B. UNI6593	PLAIN WASHER	RONDELLE	SCHEIBE
09	01	19951718	VITE TE M8X20 C/ROND. ZIGRIN. ZN B.	SCREW	VIS	SCHRAUBE
10	01	15535011	GUIDACINGHIA CAMBIO X MECH	BELT DRIVE	GUIDE-COURROIE	RIEMENFÜHRUNG
11	04	19955408	DISCO ELASTICO D.8	SPRING WASHER	RONDELLE ELASTIQUE	FEDERSCHREIBE
12	04	19952737	VITE TE M8X30 ZN B. UNI 5739	SCREW	VIS	SCHRAUBE
13	01	19957305	RONDELLA RAME 10mm.	WASHER	RONDELLE	SCHEIBE
14	01	15315162	PROLUNGA TAPPO OLIO MOTORE BENZ.	EXYTENSION	RALLONGE	VERLÄNGERUNG
15	04	19955009	ROND.PIANA D.8X24X2,5 ZN.B. UNI6593	PLAIN WASHER	RONDELLE	SCHEIBE
16	04	19955408	DISCO ELASTICO D.8	SPRING WASHER	RONDELLE ELASTIQUE	FEDERSCHREIBE
17	04	19950101	VITE TE 5/16-24 X 3/4 UNF	SCREW	VIS	SCHRAUBE
18	01	15001054	MOLLA PICCOLA RIC. TENDICIN. GREZZA	SPRING	RESSORT	FEDER
19	01	15885012	TENDITORE GALOPPINO PTO MINIHYDRO	LEVER	LEVIER	HEBEL
20	01	19955053	ROND.PIANA D.10X21X2 ZN.B. UNI6592	PLAIN WASHER	RONDELLE	SCHEIBE
21	01	19954210	DADO AUTOBL. M10 ZN ALTO DIN 982	NUT	ECROU	MUTTER
22	01	19955012	ROND.PIANA D.12X24X2,5 ZN.B. UNI6592	PLAIN WASHER	RONDELLE	SCHEIBE
23	01	15315104	DISTANZ. SP.6 X LEVA TENDIT. RM	SPACER	ENTRETOISE	DISTANZSTÜCK
24	01	15855031	GALOPPINO TENDIC. D.54 A 2 LABBRA	PULLEY	POULIE	RIEMENSCHLEIBE
25	01	19952731	VITE TE M12X25 ZN B. UNI 5739	SCREW	VIS	SCHRAUBE
26	02	15895010	SPESSORE X POMPA MINITRANS. F570	SPACER	ENTRETOISE	DISTANZSTÜCK
27	04	19954206	DADO AUTOBL. M6 ZN ALTO DIN 982	NUT	ECROU	MUTTER
28	04	19955051	ROND.PIANA D.6X12X1,5 ZN.B. UNI6592	PLAIN WASHER	RONDELLE	SCHEIBE
29	02	19955051	ROND.PIANA D.6X12X1,5 ZN.B. UNI6592	PLAIN WASHER	RONDELLE	SCHEIBE
30	02	19955257	ROSETTA ELAS.D.6 RINFORZ. DIN 127/B	SPRING WASHER	RONDELLE ELASTIQUE	FEDERSCHREIBE
31	02	19952196	VITE TCEI M6X100 ZN B. UNI 5931	SCREW	VIS	SCHRAUBE
32	04	19952607	VITE TE M6X35 ZN B. UNI 5737	SCREW	VIS	SCHRAUBE
33	01	12350479	POMPA CC1,2 DX GR.1 CORPO FIL. 3/8'	PUMP	POMPE	PUMPE
34	01	15895009	LAMIERA SUPP. POMPA MINITRANS. F570	SUPPORT	SUPPORT	HALTERUNG
35	01	15896001	CARTER COPRI CINGHIA MINITRAN. F570	COVER	COUVERCLE	DECKEL
36	03	19955051	ROND.PIANA D.6X12X1,5 ZN.B. UNI6592	PLAIN WASHER	RONDELLE	SCHEIBE
37	03	19952709	VITE TE M6X12 ZN B. UNI 5739	SCREW	VIS	SCHRAUBE
38	01	15896002	COPERCHIETTO CINGHIA MINITRAN. F570	COVER	COUVERCLE	DECKEL
39	02	19955007	ROND.PIANA D.6X18X1,5 ZN.B. UNI6592	PLAIN WASHER	RONDELLE	SCHEIBE

TAB. 04B		MOTORE-POMPA - ENGINE-PUMP MOTEUR-POMPE - MOTOR-PUMPE					
REF.	Q.	COD.	DESCRIZIONE (IT)	DESCRIPTION (EN)	DESCRIPTION (FR)	BENENNUNG (DE)	
40	02	19955257	ROSETTA ELAS.D.6 RINFORZ. DIN 127/B	SPRING WASHER	RONDELLE ELASTIQUE	FEDERSCHREIBE	
41	02	C130087	VOLANTINO ZIGRINATO C/PERNO M6X20	KNOW	BOUTON	DREHSCHALTER	
42	01	15895006	PIASTRA MOTORE MINITRANSP. MECH	PLATE	PLAQUE	PLATTE	
43	01	15531003	PULEGGIA MOTORE X MECH IDRAULICA	PULLEY	POULIE	RIEMENSCHLEIBE	
44	01	14681063	CINGHIA X13x820 6T6K	BELT	COURROIE	RIEMEN	
45	01	1235054001	SEMIGIUNTO LATO MOTORE D=19.05	HALF JOINT	DEMI-JOINT	GELENKHALFTE	
46	01	1235054003	INSERTO ELASTICO X GIUNTO	DIE SLIDE	INSERT	EINSATZSTÜCK	
47	01	1235054002	SEMIGIUNTO LATO POMPA GR.1	HALF JOINT	DEMI-JOINT	GELENKHALFTE	
48	01	19950101	VITE TE 5/16-24 X 3/4 UNF	SCREW	VIS	SCHRAUBE	
49	01	19955408	DISCO ELASTICO D.8	SPRING WASHER	RONDELLE ELASTIQUE	FEDERSCHREIBE	
50	01	19955009	ROND.PIANA D.8X24X2,5 ZN.B. UNI6593	PLAIN WASHER	RONDELLE	SCHEIBE	
51	01	14660193	POMELLO MARCE D.14	KNOB	BOUTON	KNEBELGRIFF	
52	01	15535008	LEVA ESTERNA CAMBIO MECH	LEVER	LEVIER	HEBEL	
53	01	19952715	VITE TE M8X16 ZN B. UNI 5739	SCREW	VIS	SCHRAUBE	
54	01	19954045	DADO ESAG. M8 ZN B. NORM. UNI 5588	NUT	ECROU	MUTTER	
55	01	19955730	SPINA ELASTICA 5X26 SPIR. UNI 6875	ROLL PIN	GOUPILLE ELAST.	STIFT	
56	01	19956316	LINGUETTA 5X5X20 UNI 6604	SPLINE	CLAVETTE	KEIL	
57	01	15531002	PULEGGIA CONDOTTA CAMBIO MECH	PULLEY	POULIE	RIEMENSCHLEIBE	
58	01	19955008	ROND.PIANA D.6X24X2 ZN.B. UNI6592	PLAIN WASHER	RONDELLE	SCHEIBE	
59	01	19955008	ROND.PIANA D.6X24X2 ZN.B. UNI6592	PLAIN WASHER	RONDELLE	SCHEIBE	
60	01	19955257	ROSETTA ELAS.D.6 RINFORZ. DIN 127/B	SPRING WASHER	RONDELLE ELASTIQUE	FEDERSCHREIBE	
61	01	19952714	VITE TE M6X16 ZN B. UNI 5739	SCREW	VIS	SCHRAUBE	
62	01	19956347	LINGUETTA 4,75X4,75X50	SPLINE	CLAVETTE	KEIL	



TAB. 05		COMANDI - DRIVES COMMANDES - ANTRIEBEN					
REF.	Q.	COD.	DESCRIZIONE (IT)	DESCRIPTION (EN)	DESCRIPTION (FR)	BENENNUNG (DE)	
01	02	17538002	PERNO X TRASM. STERZATA F300	PIN	AXE	BOLZEN	
02	02	19957110	COPIGLIA 2X20 ZN BIANCA UNI 1336	COTTER PIN	GOUPILLE FENDEU	SPLINT	
03	02	1553800802	TRASM. STERZATA MECH 55 (SENZA LEVA)	WIRE (W/OUT LEVER)	CABLE (SANS LEVIER)	SEILZUG (OHNE HEBEL)	
04	01	15538004	TRASM. C/DO FRENO STAZIONAMEN. F300	WIRE	CABLE	SEILZUG	
05	01	15538003	TRASM. TIROCINGHIA CAMBIO F300	WIRE	CABLE	SEILZUG	
06	03	14660243	MORSETTO PIATTO A 2 VITI	CLAMP	SERRE-CABLE	SEILKLEMME	
07	01	15535015	PIASTRINA X TRASMISSIONI F300	PLATE	PLAQUE	PLATTE	
08	01	15538007	TRASM. C/DO DOPPIO (C/LEVA)	WIRE (W/LEVER)	CABLE (AVEC LEVIER)	SEILZUG (MIT HEBEL)	
09	02	19953908	DADO ESAG. M8 C/ROND. ZN B.	NUT	ECROU	MUTTER	
10	01	15318013	TRASM. GAS MINITRANS. BENZ.	WIRE	CABLE	SEILZUG	
11	01	15001096	PERNO CON MOLLA 6X24	CLIP	CLIP	CLIP	
12	01	15317047	MOLLA X RITORNO LEVE DI STERZATA	SPRING	RESSORT	FEDER	
13	01	15535028	ASTA FILET. TIRO MOLLA FRENO F300	ROD	TIGE	STANGE	
14	02	19955273	ROSETTA ELAS.D.8 RINFORZ. DIN 127/B	SPRING WASHER	RONDELLE ELASTIQUE	FEDERSCHREIBE	
15	02	19952715	VITE TE M8X16 ZN B. UNI 5739	SCREW	VIS	SCHRAUBE	
16	01	19954045	DADO ESAG. M8 ZN B. NORM. UNI 5588	NUT	ECROU	MUTTER	
17	01	19955052	ROND.PIANA D.8X16X1,5 ZN.B. UNI6592	PLAIN WASHER	RONDELLE	SCHEIBE	
18	01	15535029	SUPP. ASTA TIRO MOLLA FRENO F300	SUPPORT	SUPPORT	HALTERUNG	



IMPIANTO IDRAULICO - HYDRAULIC EQUIPMENT
INSTALLATION HYDRAULIQUE - HYDRAULISCHE ANLAGE



TAB. 06						
REF.	Q.	COD.	DESCRIZIONE (IT)	DESCRIPTION (EN)	DESCRIPTION (FR)	BENENNUNG (DE)
01	02	19952729	VITE TE M8X25 ZN B. UNI 5739	SCREW	VIS	SCHRAUBE
02	02	19955052	ROND.PIANA D.8X16X1,5 ZN.B. UNI6592	PLAIN WASHER	RONDELLE	SCHEIBE
03	01	15675025	PERNO X BLOCCO MARTIN. MINITR.	PIN	AXE	BOLZEN
04	02	19953908	DADO ESAG. M8 C/ROND. ZN B.	NUT	ECROU	MUTTER
05	01	19956225	INGRASS. M6X1 90'	GREASE NIPPLE	GRAISSEUR	SCHMIERNIPPLE
06	04	14671013	VITE FORATA 1/4'	SCREW	VIS	SCHRAUBE
07	08	19957101	RONDELLA RAME 1/4' 13,5x19x1,5	PLAIN WASHER	RONDELLE	SCHEIBE
08	01	1553801002	TUBO R1 1/4" OC 1/4+OC 1/4 L=2150	PIPE	TUYAN	ROHR
09	01	15675049	PERNO X BLOCCO MARTIN. SU ACCESSORI	PIN	AXE	BOLZEN
10	01	19956201	INGRASS. M6X1 DRITTO	GREASE NIPPLE	GRAISSEUR	SCHMIERNIPPLE
11	01	15315083	MARTINETTO SOLLEV. MINITRANSP. NT	PISTON	VERIN	ZYLINDERKOLBEN
12	01	1553801003	TUBO R1 1/4" F90 1/4+OC 1/4 L=2050	PIPE	TUYAN	ROHR
13	01	1553801001	TUBO R1 1/4" F90 1/4+OC 1/4 L=580	PIPE	TUYAN	ROHR
14	01	14661015	NIPPLES M/M 3/8'-1/4'	JOINT	RACCORD	ANSCHLUßSTÜCK
15	05	19957302	RONDELLA RAME 3/8' 17x23x1,5	PLAIN WASHER	RONDELLE	SCHEIBE
16	01	12350479	POMPA CC1,2 DX GR.1 CORPO FIL. 3/8'	PUMP	POMPE	PUMPE
17	02	14661018	NIPPLES M/M 3/8'-3/4'	JOINT	RACCORD	ANSCHLUßSTÜCK
18	01	1553801004	TUBO R1 5/8" F90 3/4 L=195 WP 10B	PIPE	TUYAN	ROHR
19	01	1553801005	TUBO R1 5/8" FD 3/4 L=950 WP 10B	PIPE	TUYAN	ROHR
20	01	14661010	NIPPLES M/M 1/4'	JOINT	RACCORD	ANSCHLUßSTÜCK
21	01	19957101	RONDELLA RAME 1/4' 13,5x19x1,5	PLAIN WASHER	RONDELLE	SCHEIBE
22	02	14661001	TAPPO MASCHIO 3/8' C/ESAG. INCASS.	PLUG	BOUCHON	STOPFEN
23	01	19954076	DADO ESAG. M8 ZN B. BASSO UNI 5589	NUT	ECROU	MUTTER
24	01	1235056803	ASTA D.8 X DISTRIBUTORE	ROD	TIGE	STANGE
25	01	1235056801	POMELLO X ASTA DISTR. D.8	KNOB	BOUTON	KNEBELGRIFF
26	01	12350565	DISTRIB. 1 LEVA MINITRASPORTER	DISTRIBUTOR	DISTRIBUTEUR	STEUERGERÄT
27	02	19955007	ROND.PIANA D.6X18X1,5 ZN.B. UNI6592	PLAIN WASHER	RONDELLE	SCHEIBE
28	02	19952616	VITE TE M6X45 ZN B. UNI 5737	SCREW	VIS	SCHRAUBE
29	02	19954253	DADO AUTOBL. M6 ZN BASSO DIN 985	NUT	ECROU	MUTTER
30	02	19957022	FASCETTA STRINGITUBO D.23/25 ABA	STRAP	COLLIER	HALTERBAND
31	01	19957090	FASCETTA STRINGITUBO D.92/112 H=13	STRAP	COLLIER	HALTERBAND
32	01	14662401	SERBATOIO OLIO 1 LT. C/FILTRO INC.	TANK	RÉSERVOIR	BEHÄLTER