

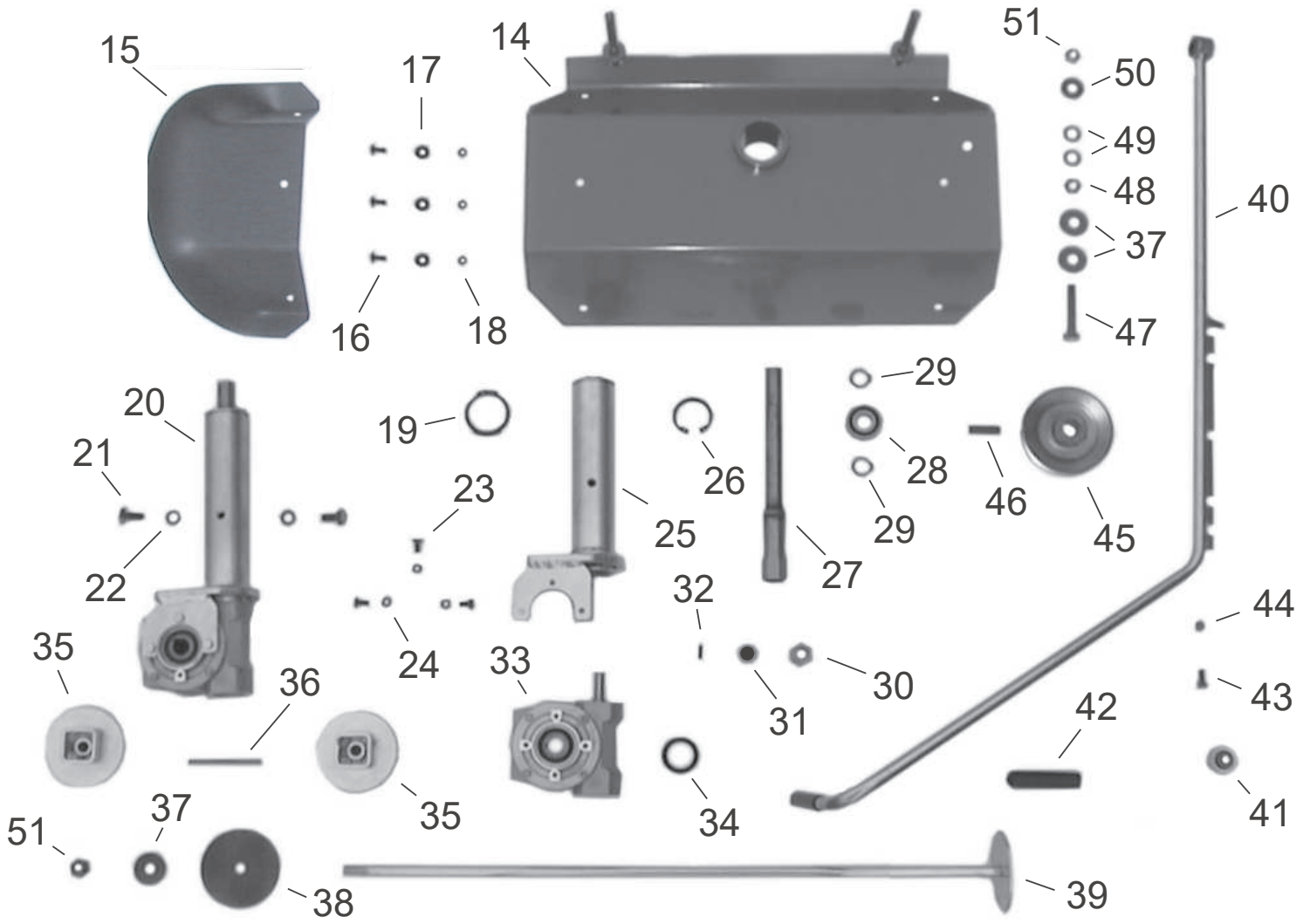
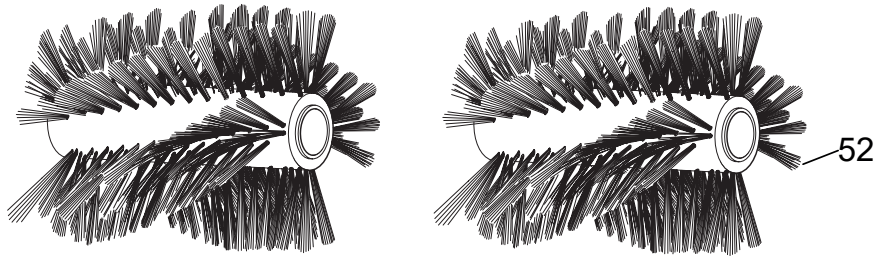
Ersatzteilliste
Kehrmaschine
KM 801 H
Art. Nr. 700801005



Inhalt

| | |
|------------------------------------|----|
| Bürstendeck | 3 |
| ET-Nummern | 4 |
| Antrieb & Rahmen | 5 |
| ET-Nummern | 6 |
| Motorkonsole & Fahrtrieb | 7 |
| ET-Nummern | 8 |
| Holm | 9 |
| ET-Nummern | 10 |

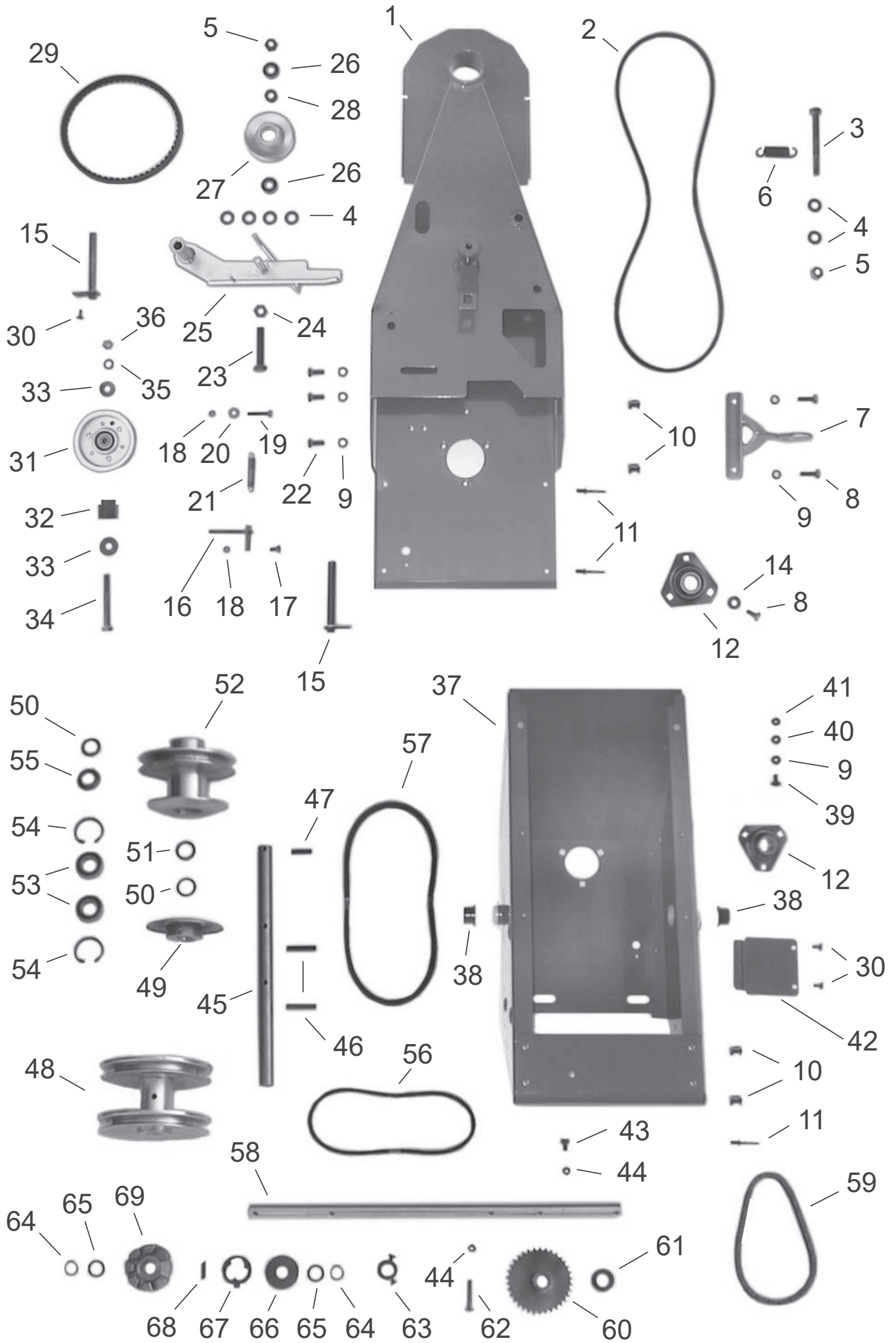
Bürstendeck



ET-Nummern

| Pos. | Art. Nr. | Beschreibung | Pos. | Art. Nr. | Beschreibung |
|------|------------|-----------------------------------|------|------------|--|
| 14 | FKN-153 | Bürstendeck 33/44 (ab 11/2017) | 38 | 4DA-E03 Z | Scheibe |
| 15 | 4HJ-X16 | Deck-Ende 80 | 39 | FKB-116 Z | Bürstenachse 0,8 m |
| 16 | 4HO-S44 Z1 | Bordwand-Schr. M6x15 | 40 | FKN-203 | Schwenkstütze KN kpl. |
| 17 | 4HW-B06 Z1 | Scheibe, groß ø 6 | 41 | 4HK-S01 | Silentblock |
| 18 | 4HR-C06 Z1 | Stopmutter M6 | 42 | 4HJ-G02 | Griffhülle 15 |
| 19 | 4HU-A50 1 | Sicherungsring 50 | 43 | 4HO-A08 Z1 | 6kt-Schraube M6x16 |
| 20 | FKN-264 | Bürstengetr. 33/44 kpl. (ab 2019) | 44 | 4HR-C06 Z1 | Stopmutter M6 |
| 21 | 4HO-A23 Z1 | 6kt-Schraube M10x20 | 45 | 4AZ-A30 Z | K-Scheibe A100-20 |
| 22 | 4HW-F10 Z1 | Federring M10 | 46 | 4AZ-S01 | Spannhülsen Set 1 |
| 23 | 4HO-A07 Z1 | 6kt-Schraube M6x12 | 47 | 4HO-A61 Z | 6kt-Schraube M12x65 |
| 24 | 4HW-F06 Z1 | Federring M6 | 48 | 4HR-A12 Z1 | Mutter M12 |
| 25 | FKN-152 Z | Halslager 33/44 (ab 2019) | 49 | 4HW-A12 Z1 | Scheibe ø 12 |
| 26 | 4HU-I42 1 | Sicherungsring 42 | 50 | 4HJ-D02 1 | Kunststoff-Scheibe |
| 27 | FKN-117 | Bü-Welle 33/44 | 51 | 4HR-C12 Z1 | Stopmutter M12 |
| 28 | 4HA-A20 | Kugellager (6004 2RS) | 52 | 70022204 | Kehrbürstensatz 12 Besatzreihen Nylon |
| 29 | 4HU-A20 1 | Sicherungsring 20 | 52 | 70022203 | Schmutzkehribürstensatz 12 Be- satzreihen Nylon/Stahl |
| 30 | 4DS-C01 | K-Stück 22 | 52 | 70022202 | Schneekehribürstensatz 8x2 Be- satzreihen Poly |
| 31 | 4HK-E11 | Ausgleich-Puffer | | | |
| 32 | 4KH-P04 | Paßfeder | | | |
| 33 | 4KB-S05 | Schneckengetr. VF44 | | | |
| 34 | 4HL-A02 | Simmering 30 | | | |
| 35 | 4AZ-107 Z | Bürstenmitnehmer 44 | | | |
| 36 | 4DC-B01 | Mitnehmerstab | | | |
| 37 | 4HW-B12 Z1 | Scheibe, groß ø 12 | | | |

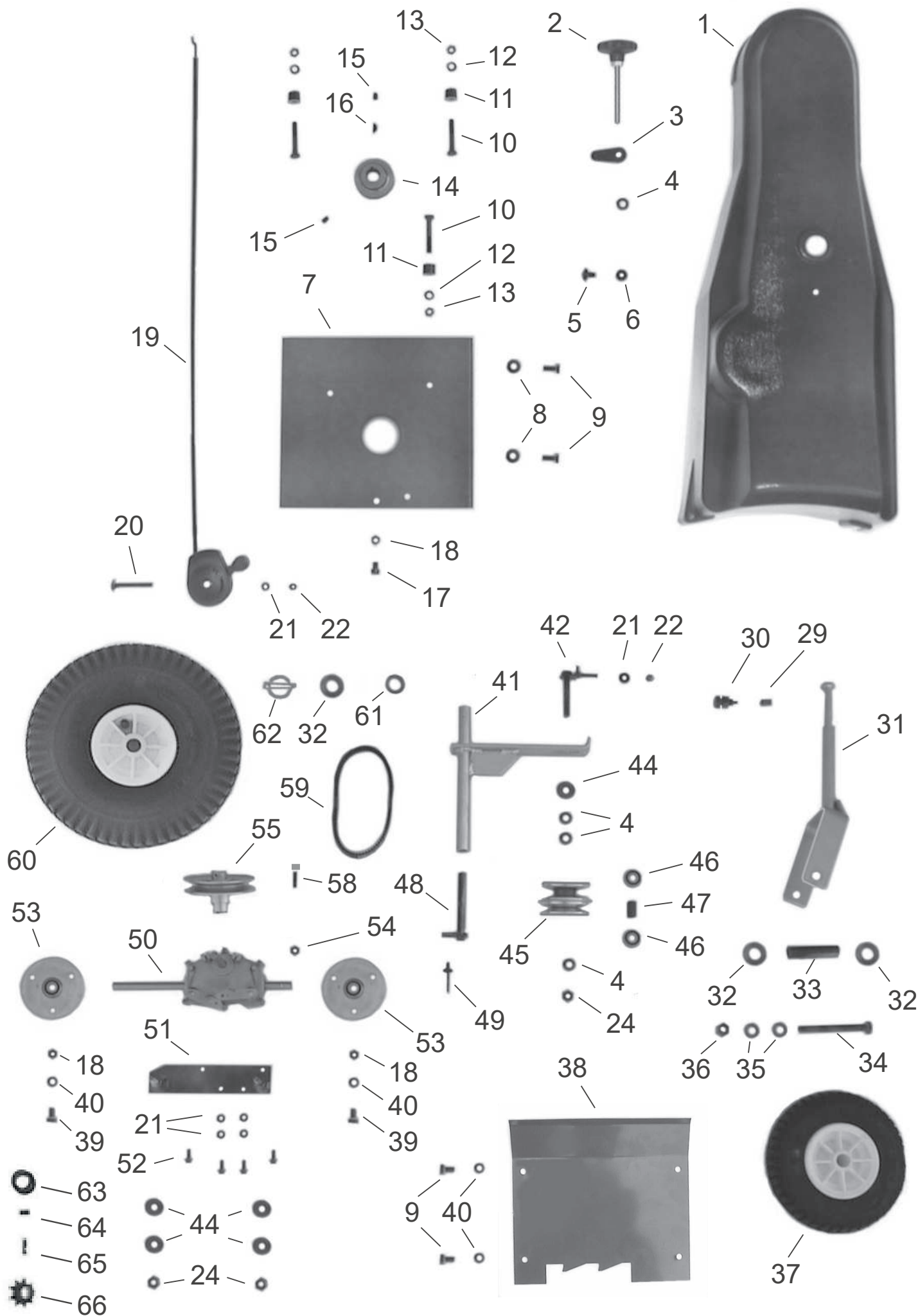
Antrieb & Rahmen



ET-Nummern

| Pos. | Art. Nr. | Beschreibung | Pos. | Art. Nr. | Beschreibung |
|------|------------|---------------------------------|------|------------|--------------------------------------|
| 1 | FKN-108-R | Bürstenträger | 47 | 4HX-H36 1 | Spannhülse 8x36 |
| 2 | 4HB-D21 V | Keilriemen, Bürste (VB 10x1550) | 48 | 4AZ-A34 Z | V-Dop-Scheibe KNV |
| 3 | 4HO-C43 Z | 6kt-Schraube M12x110 | 49 | FKN-124 Z | Kuppel-Halbscheibe |
| 4 | 4HW-A12 Z1 | Scheibe ø 12 | 50 | 4HW-P59 | Paßscheibe 25x1 |
| 5 | 4HR-C12 Z1 | Stopmutter M12 | 51 | 4DC-O01 Z | Ring 25 |
| 6 | 4HI-A01 | Zugfeder 01 | 52 | FKN-208 | Kuppel-Freilauf 82 |
| 7 | FKN-121 Z | Rastlager KN | 53 | 4HA-A25 | Kugellager (6005 2RS) |
| 8 | 4HO-A14 Z1 | 6kt-Schraube M8x20 | 54 | 4HU-I47 1 | Sicherungsring 47 |
| 9 | 4HW-A08 Z1 | Scheibe ø 8 | 55 | 4DC-R10 Z | Kegelring 25 |
| 10 | 4HR-I08 Z1 | Käfigmutter M8 | 56 | 4HB-D24 V | Keilriemen => Vari (VB 10x630) |
| 11 | 4HY-B07 1 | Blindniet V2A | 57 | 4HB-A20 V | Keilriemen nur GCV & B&S (VB 13x850) |
| 12 | 4HA-Y25 | Y-Lager 25 | 58 | 4DC-H29 Z | Fahrachse 182 |
| 14 | 4HW-D08 Z1 | Scheibe, dick ø 8 | 59 | 4HD-B56 | Kette KN |
| 15 | FKN-112 Z | Lagerbolzen | 60 | FKA-101 | Kettenrad |
| 16 | FTS-106 Z | K-Führung 65 | 61 | 4HW-A20 Z | Scheibe ø 20 |
| 17 | 4HO-A07 Z1 | 6kt-Schraube M6x12 | 62 | 4HO-C18 Z1 | 6kt-Schraube M8x40 |
| 18 | 4HR-C06 Z1 | Stopmutter M6 | 63 | 4KC-A03 Z | Stellring |
| 19 | 4HO-A11 Z1 | 6kt-Schraube M6x30 | 64 | 4HU-A20 1 | Sicherungsring 20 |
| 20 | 4HW-B06 Z1 | Scheibe, groß ø 6 | 65 | 4KC-B36 Z1 | Paßscheibe 20x1 |
| 21 | 4HI-A02 | Zugfeder | 66 | 4HJ-D03 | PA-Scheibe 20 |
| 22 | 4HO-A13 Z1 | 6kt-Schraube M8x16 | 67 | 4DA-I04 | Mitnehmer |
| 23 | 4HO-A61 Z | 6kt-Schraube M12x65 | 68 | 4KH-X01 | Paßfeder FL |
| 24 | 4HR-A12 Z1 | Mutter M12 | 69 | 4DX-A03 Z | FRL-Gehäuse |
| 25 | FKN-115 Z | Kuppel-Spanner | | | |
| 26 | 4HA-A12 | Kugellager (6001 2RS) | | | |
| 27 | 4AZ-A35 Z | Kupplungsrolle | | | |
| 28 | 4DC-H31 | Hülse 12-10 | | | |
| 29 | 4HB-X18 S | Keilriemen (XPA590) | | | |
| 30 | 4KC-A21 1 | Bohr-Blechschaube | | | |
| 31 | 4AZ-205 | Spannrolle B2 | | | |
| 32 | 4DC-M03 Z | Hülse | | | |
| 33 | 4HW-B10 Z1 | Scheibe, groß ø 10 | | | |
| 34 | 4HO-M52 Z | Zollschraube 3/8 UNF | | | |
| 35 | 4HW-F10 Z1 | Federring M10 | | | |
| 36 | 4HR-A51 Z | Zollmutter 3/8 UNF | | | |
| 37 | FKN-233-R | Geh.-Montage KN | | | |
| 38 | 4HJ-A02 | Bundbuchse (für Achse) | | | |
| 39 | 4HO-I13 Z1 | Schloß-Schr. M8x16 | | | |
| 40 | 4HW-F08 Z1 | Federring M8 | | | |
| 41 | 4HR-A08 Z1 | Mutter M8 | | | |
| 42 | 4DA-C53-SK | Deckel | | | |
| 43 | 4HO-G12 Z1 | Innen-6kt-Schr. M8x12 | | | |
| 44 | 4HR-C08 Z1 | Stopmutter M8 | | | |
| 45 | 4DC-K07 | Vorgelegewelle KN | | | |
| 46 | 4HX-H50 1 | Spannhülse 8x50 | | | |

Motorkonsole & Fahrtrieb



ET-Nummern

| Pos. | Art. Nr. | Beschreibung | Pos. | Art. Nr. | Beschreibung |
|-------|------------|--------------------------------|------|------------|---------------------------------|
| 1 | 4HJ-X15 | K-Schutz KN | 50 | 4KB-S26 | Tandem-Getriebe 14-278 |
| 2 | FKB-209 | Kurbel kpl. (inkl. Pos. 3 & 4) | 51 | FKN-134 Z | Mota-Getr.-Stütze |
| 3 | 4DA-I01 Z | Konterlasche | 52 | 4KC-A102 1 | GFD-Schraube M5x12 |
| 4 | 4HW-A10 Z1 | Scheibe ø 10 | 53 | 4AZ-301 Z | Flanschlager 12 |
| 5 | 4HO-S47 Z1 | Bordwandschr. M8x15 | 54 | 4HR-C05 Z1 | Stopmutter M5 |
| 6 | 4HK-E01 1 | Gummischeibe | 55 | 4AZ-A46 Z | Mota-Scheibe |
| 7 | 4DA-F46-SK | Motorkonsole KN | 58 | 4HO-G79 Z | Innen-6kt-Schr. M5x35 |
| 8 | 4HW-D08 Z1 | Scheibe, dick ø 8 | 59 | 4HB-D25 V | Keilriemen => Vari (VB 10x450) |
| 9 | 4HO-A14 Z1 | 6kt-Schraube M8x20 | 60 | 4HN-G02-W | Luftrad 4.00-4 |
| 10 | 4AZ-S22 | Motorschrauben-Set | 61 | 4KC-B36 Z1 | Paßscheibe 20x1 |
| 11 | 4DJ-D02 Z | M-Hülse 15 | 62 | 4AZ-801 Z | Klappsplint 8/32 |
| 12 | 4HW-F08 Z1 | Federring M8 | 63 | 4HJ-S01 | Schrumpfschlauch1 (ab Mai 2013) |
| 13 | 4HR-A08 Z1 | Mutter M8 | 64 | 4DC-B02 | Riegelstift (ab Mai 2013) |
| 14 | 4AZ-A03 | Motor-Keilriemen-Scheibe | 65 | 4KH-X02 | Paßfeder MT2 (ab Mai 2013) |
| 15 | 4KC-A04 1 | Gewindestift M8x10 | 66 | 4HE-B07 | Ritzel 10N (ab Mai 2013) |
| 16 | 4KH-S01 | Scheibenfeder | | | |
| 17 | 4HO-G12 Z1 | Innen-6kt-Schr. M8x12 | | | |
| 18 | 4HR-C08 Z1 | Stopmutter M8 | | | |
| 19 | 4AZ-601 | Gaszug Honda GCV | | | |
| 20 | 4HO-I74 Z1 | Schloßschraube M6x60 | | | |
| 21 | 4HW-A06 Z1 | Scheibe ø 6 | | | |
| 22 | 4HR-C06 Z1 | Stopmutter M6 | | | |
| 24 | 4HR-C10 Z1 | Stopmutter M10 | | | |
| 29 | 4HI-B04 | Druckfeder | | | |
| 30 | 4KC-B20 | Druckschraube | | | |
| 31-37 | FKN-223 | Stützrad KN kpl. (Pos.31-37) | | | |
| 31 | FKN-110 Z | Radgabel KN | | | |
| 32 | 4HW-A20 Z1 | Scheibe ø 21 | | | |
| 33 | 4DM-B01 Z | Achshülse | | | |
| 34 | 4HO-C43 Z | 6kt-Schraube M12x110 | | | |
| 35 | 4HW-A12 Z1 | Scheibe ø 12 | | | |
| 36 | 4HR-C12 Z1 | Stopmutter M12 | | | |
| 37 | 4HN-G01-W | Luftrad 2.50-4 | | | |
| 38 | 4DA-C78-SK | Heckblech 82 V | | | |
| 39 | 4HO-A13 Z1 | 6kt-Schraube M8x16 | | | |
| 40 | 4HW-A08 Z1 | Scheibe ø 8 | | | |
| 41 | FKN-111 Z | V-Ausleger | | | |
| 42 | FKN-129 Z | V-Lagerung | | | |
| 44 | 4HW-B10 Z1 | Scheibe, groß ø 10 | | | |
| 45 | 4AZ-V01 | Variator | | | |
| 46 | 4HA-A10 | Kugellager (6000 2RS) | | | |
| 47 | 4DM-P01 | Hülse V | | | |
| 48 | FKN-112 Z | Lagerbolzen | | | |
| 49 | 4HY-B07 1 | Blindniet V2A | | | |

ET-Nummern

| Pos. | Art. Nr. | Beschreibung | Pos. | Art. Nr. | Beschreibung |
|------|------------|--------------------|------|------------|-----------------------------|
| 1 | FKN-118-G | Unterlenker 82 | 14 | 4HO-G41 Z | Innen-6kt-Schr. M6x40 |
| 2 | 4HO-A14 Z1 | 6kt-Schraube M8x20 | 15 | 4HR-C06 Z1 | Stopmutter M6 |
| 3 | 4HW-A08 Z1 | Scheibe ø 8 | 16 | 4AZ-713 | Kupplungszug Fahrtrieb |
| 4 | 4HR-C08 Z1 | Stopmutter M8 | 18 | 4AZ-709 | Kupplungszug Bürstenantrieb |
| 5 | FKN-213 | Lenkerknebel | 19 | 4HI-A01 | Zugfeder 01 |
| 6 | 4DJ-D02 Z | M-Hülse 15 | 20 | FKN-238 | Hebelkonsole |
| 7 | 4HR-K10 Z | Flügelmutter 10 | 21 | 4DC-C18 Z | ZD-Stange 82V |
| 8 | 4KC-B33 | Augenschraube KN | 22 | 4KC-A08 1 | Klemmkappe 6 |
| 9 | 4HW-A12 Z1 | Scheibe ø 12 | 23 | 4HW-A06 Z1 | Scheibe ø 6 |
| 10 | 4KC-A15 | Federscheibe ok 12 | 24 | 4HZ-D20 1 | Splint 2,5x20 |
| 11 | 4HJ-G08 | Griffhülle 12 | 25 | FKN-138 Z | V-Hebel 82 |
| 12 | FKN-126-G | Lenker 82 | 26 | 4HJ-G02 | Griffhülle 15 |
| 13 | 4HJ-G03 | Handgriff 25 | 27 | 4HO-A15 Z1 | 6kt-Schraube M8x25 |