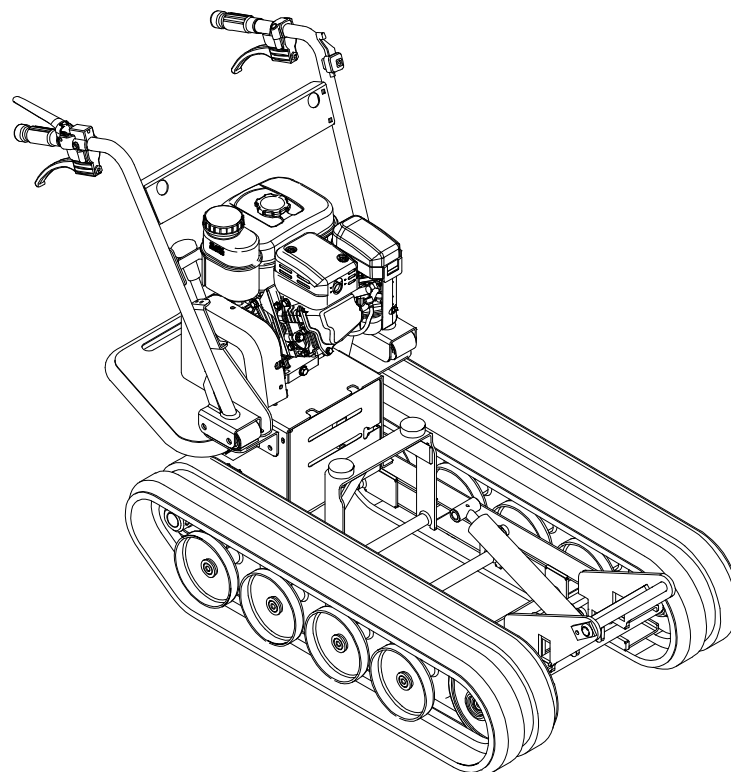


**Mod. MINITRANSPORTER
F450 - MECH 45**

Cod. 123353..

FORT[®]

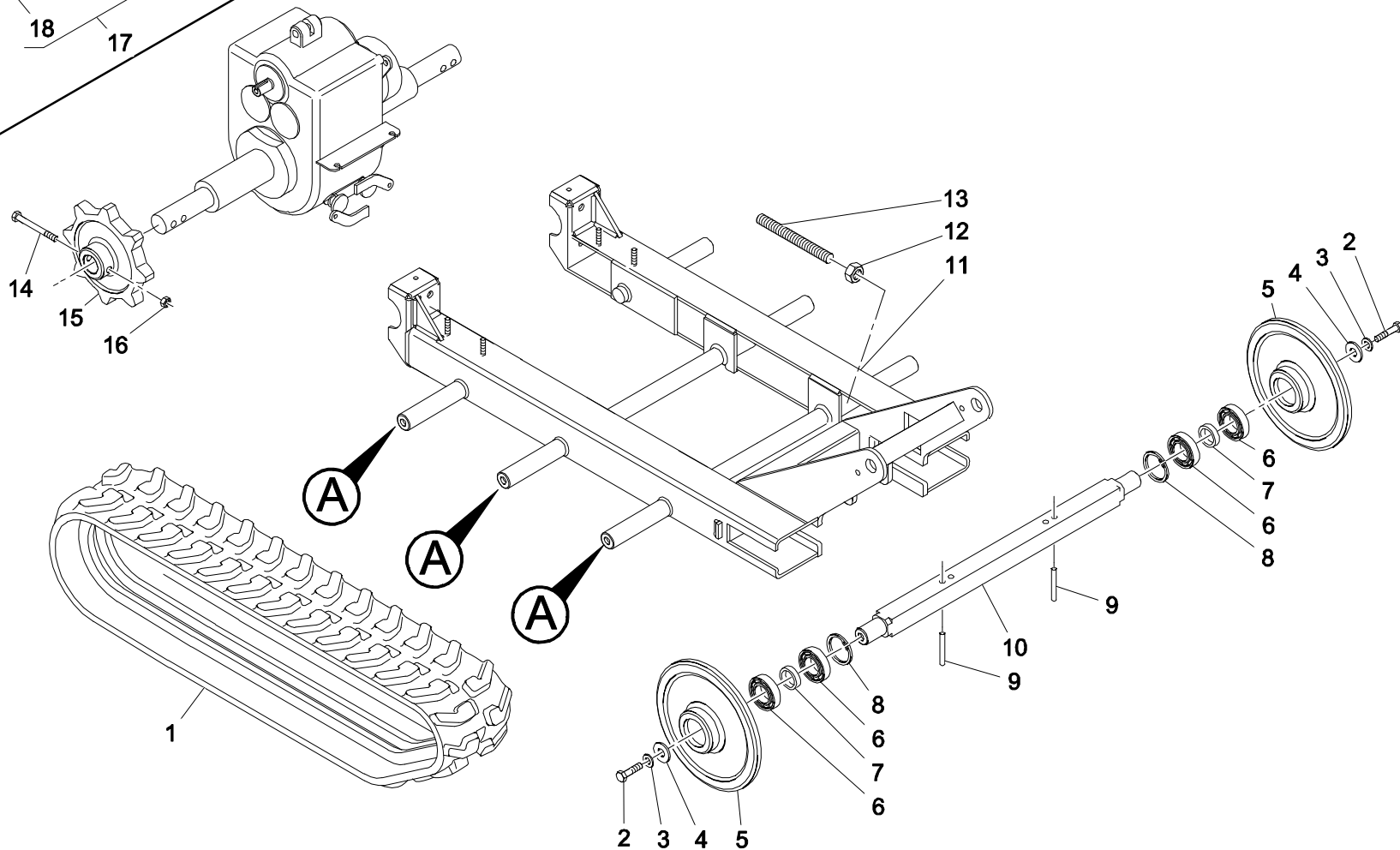
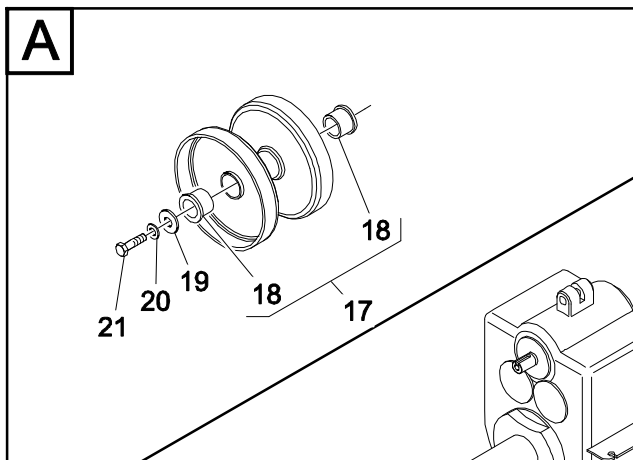
PARTI DI RICAMBIO
SPARE PARTS
PIECES DE RECHANGE
ERSATZTEILLISTE
PIEZAS DE REPUESTO




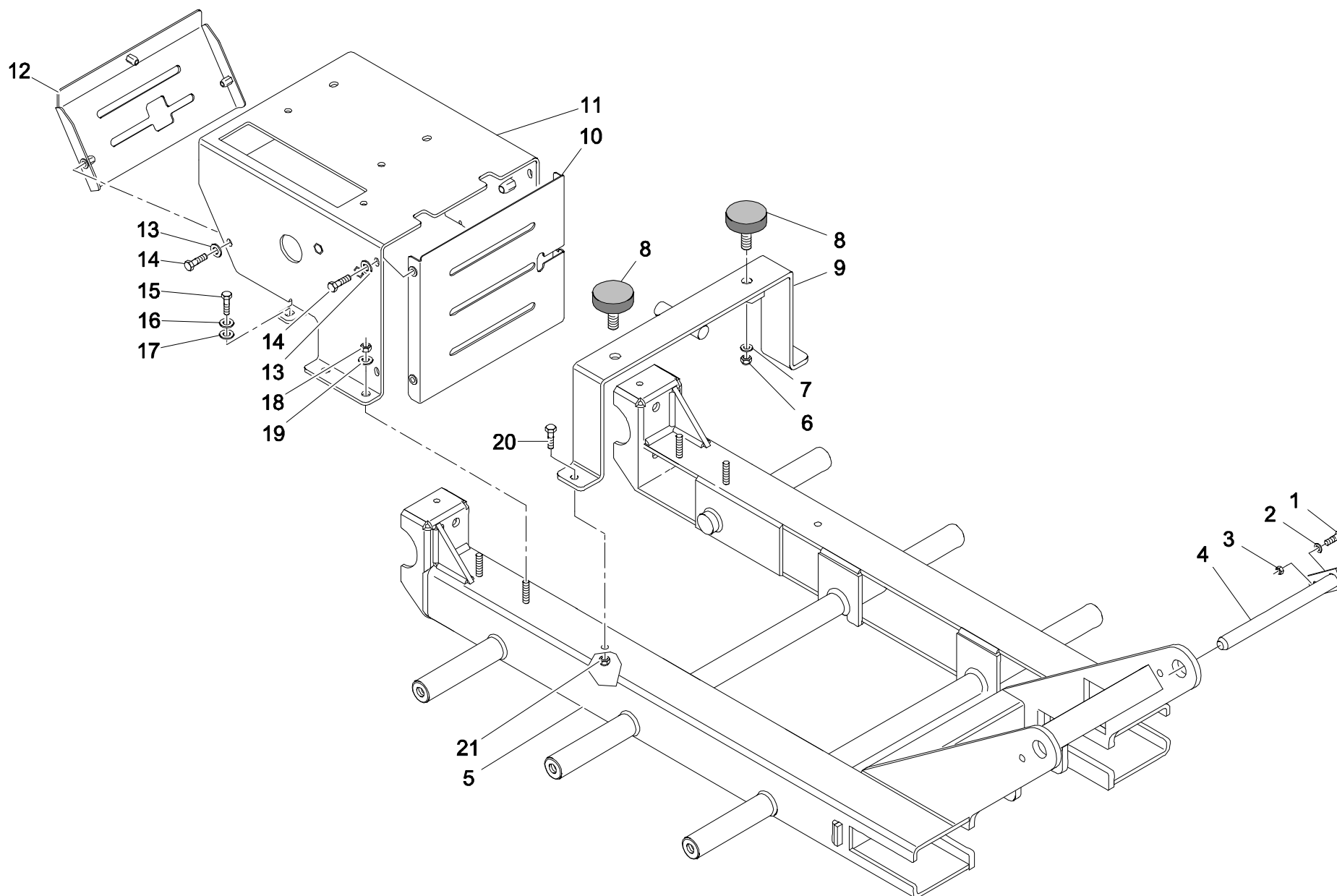
Mod. MINITRANSPORTER (F450 - MECH 45)


Cod. 123353..

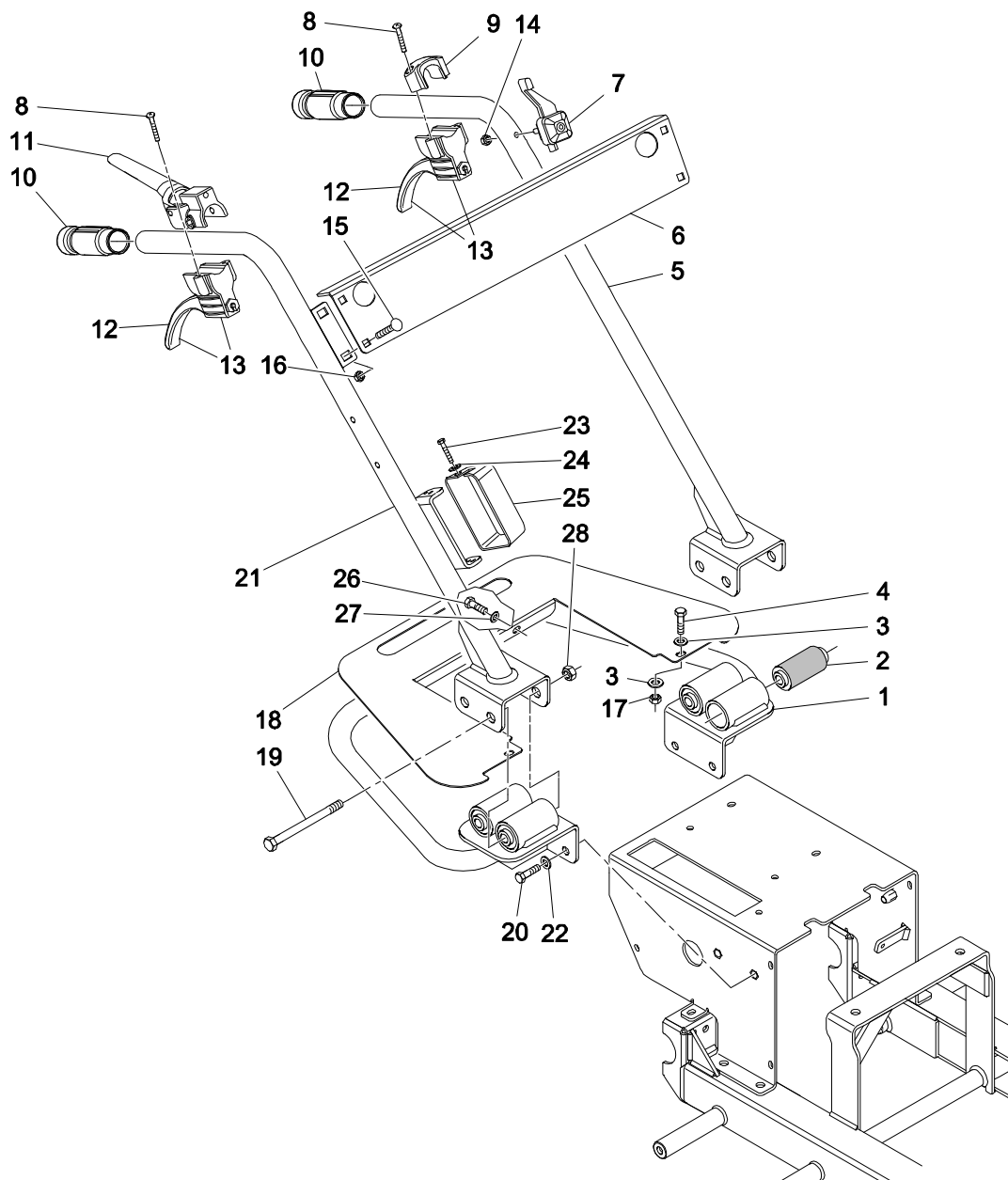
Tab.	01	TELAIO	FRAME	CHASSIS	RAHMEN
Tab.	02	CARROZZERIA	FAIRING	CARENAGE	KAROSSERIE
Tab.	03	STEGOLE DI GUIDA	HANDLEBARS	MANCHERONS	FÜHRUNGSHOLM
Tab.	04	MOTORE	ENGINE	MOTEUR	MOTOR
Tab.	05	COMANDI	DRIVES	COMMANDES	ANTRIEBEN




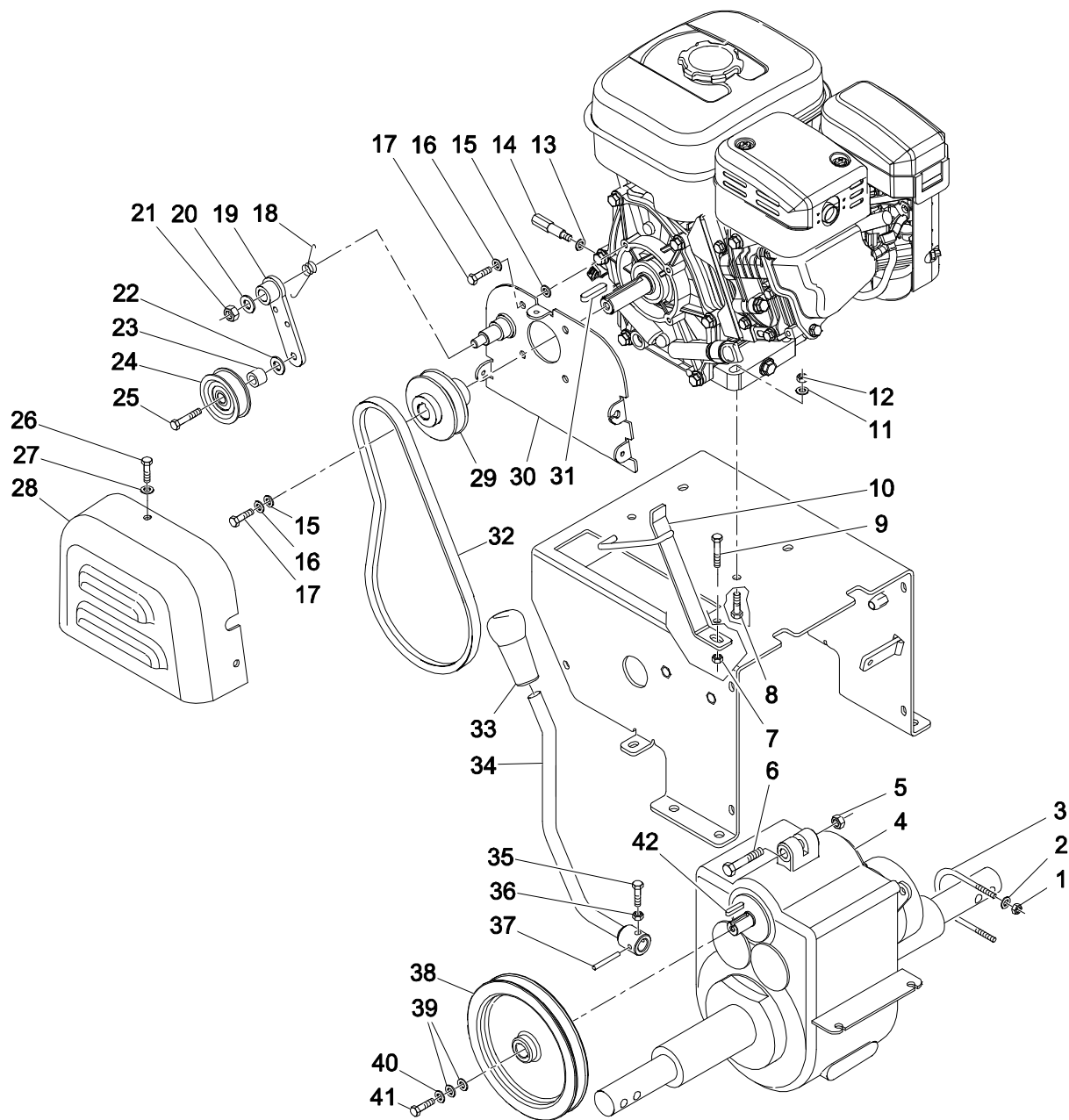
TAB. 01		TELAIO - FRAME CHASSIS - RAHMEN				
REF.	Q.	COD.	DESCRIZIONE (IT)	DESCRIPTION (EN)	DESCRIPTION (FR)	BENENNUNG (DE)
01	02	12329953	CINGOLO IN GOMMA 180x60x34	TRACK	CHENILLE	RAUPEN
02	02	19952715	VITE TE M8X16 ZN B. UNI 5739	SCREW	VIS	SCHRAUBE
03	02	19955273	ROSETTA ELAS.D.8 RINFORZ. DIN 127/B	SPRING WASHER	RONDELLE ELASTIQUE	FEDERSCHREIBE
04	02	19955010	ROND.PIANA D.8X32X2,5 ZN.B. UNI6592	PLAIN WASHER	RONDELLE	SCHEIBE
05	02	15533001	RUOTA TENDICINGOLO X F300	ROLLER	GALET	ROLLE
06	04	19902327	CUSCIN. 6205-2RS 2F	BEARING	ROULEMENT	KUGELLAGER
07	02	15535013	DISTANZ. D.25,7xD.33,7x8 ZB.	SPACER	ENTRETOISE	DISTANZSTÜCK
08	02	19955652	ANELLO ELASTICO I52 UNI 7437	LOCKRING	ARRETOIR	SICHERUNGSRING
09	02	19955743	SPINA ELASTICA 8X45 SPIR. UNI 6875	ROLL PIN	GOUPILLE ELASTIQUE	STIFT
10	01	15535103	SUPP. RUOTE TENDICINGOLO F550	SUPPORT	SUPPORT	HALTERUNG
11	01	15535104	TELAIO CARRO F450	FRAME BODY	CHASSIS	GESTELL
12	02	19954080	DADO ESAG. M16 ZN B. BASSO UNI 5589	NUT	ECROU	MUTTER
13	02	19952526	VITE S.T. P.PIANA M16X100 UNI 5923	SCREW	VIS	SCHRAUBE
14	02	19952644	VITE TE M10X65 ZN B. UNI 5737	SCREW	VIS	SCHRAUBE
15	02	15315024	RUOTA MOTRICE DENTATA Z=8 PASSO=60	DRIVEN WHEEL	ROUE MOTRICE	TREIBBRAD
16	02	19954255	DADO AUTOBL. M10 ZN BASSO DIN 985	NUT	ECROU	MUTTER
17	06	15315020	RULLO 159X60 C/BOCCOLE X MINITRANSP	ROLLER	GALET	ROLLE
18	12	19903517	BOCCOLA FLANGIATA J4FM 25-32-25	BUSH	DOUILLE	BÜCHSE
19	06	19955021	ROND.PIANA D.10X40X2,5 ZB GREMBIUL.	PLAIN WASHER	RONDELLE	SCHEIBE
20	06	19955274	ROSETTA ELAS.D.10 ZN B. DIN 128B	SPRING WASHER	RONDELLE ELASTIQUE	FEDERSCHREIBE
21	06	19952730	VITE TE M10X25 ZN B. UNI 5739	SCREW	VIS	SCHRAUBE




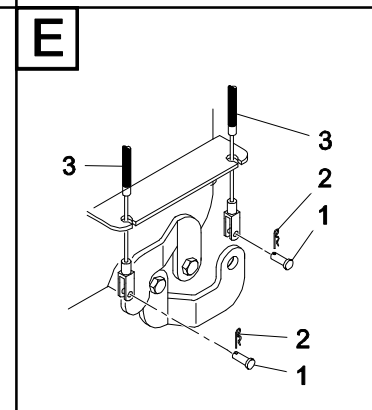
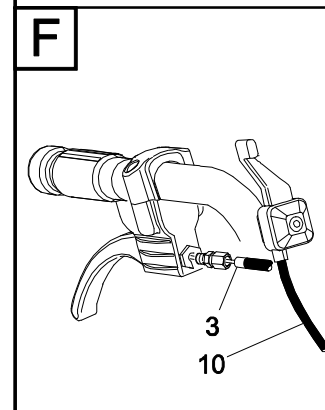
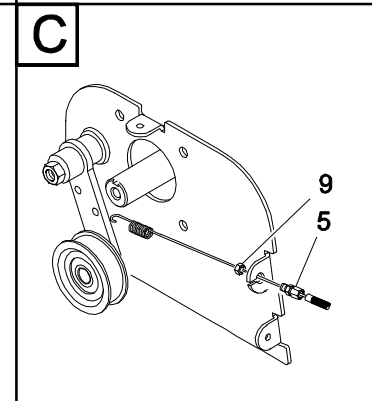
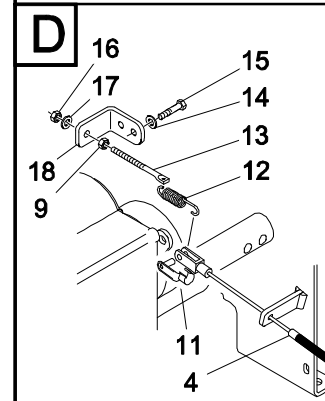
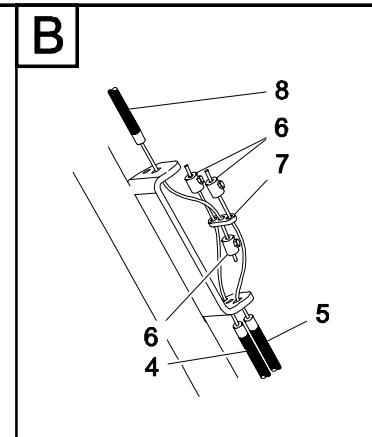
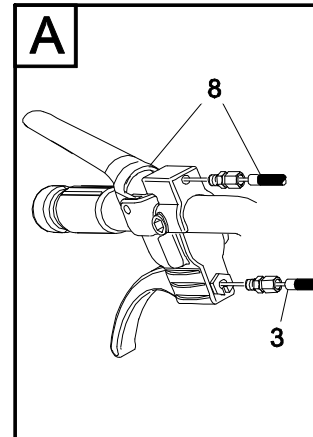
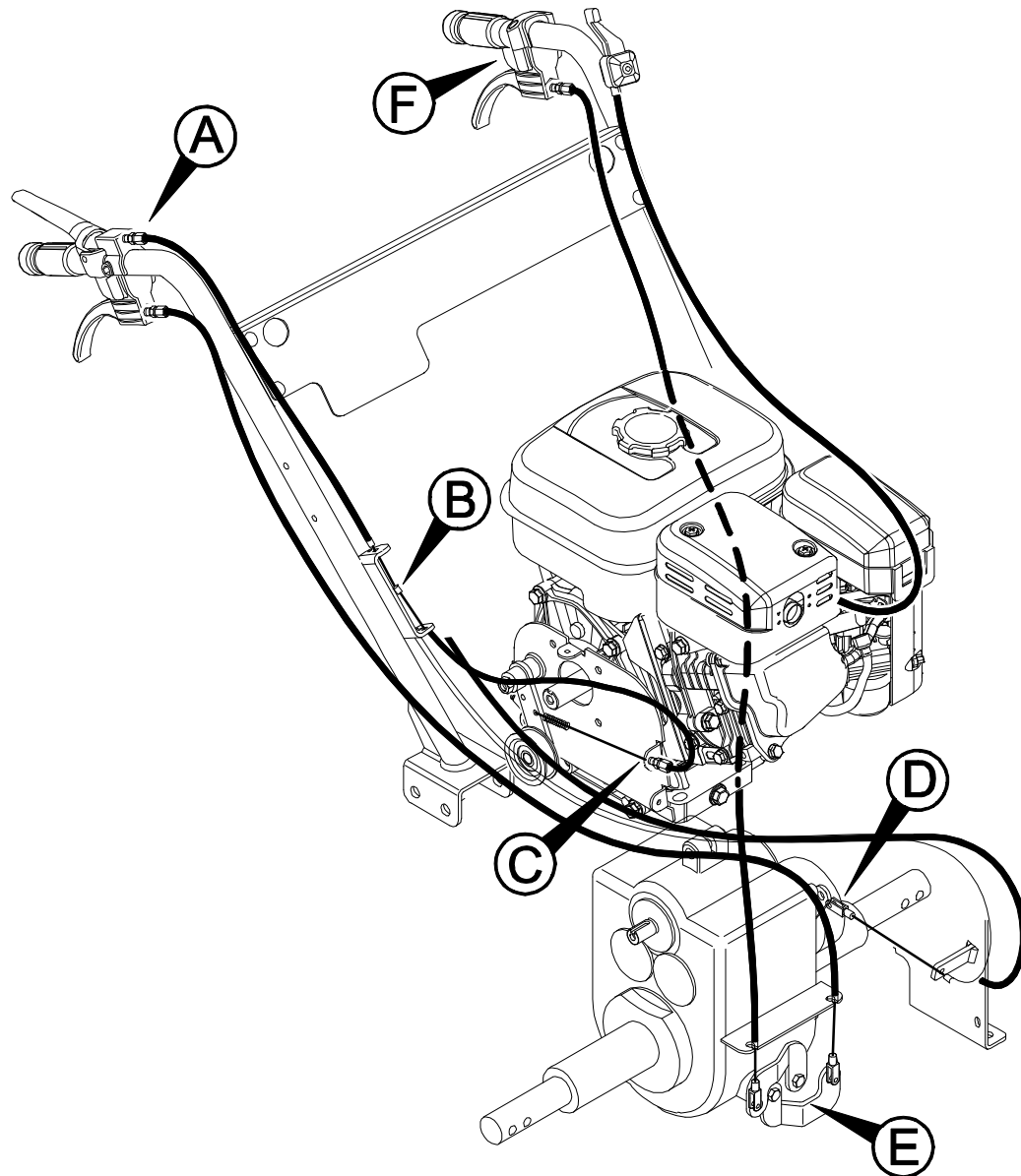
TAB. 02		CARROZZERIA - FAIRING CARENAGE - KAROSSERIE				
REF.	Q.	COD.	DESCRIZIONE (IT)	DESCRIPTION (EN)	DESCRIPTION (FR)	BENENNUNG (DE)
01	01	19952729	VITE TE M8X25 ZN B. UNI 5739	SCREW	VIS	SCHRAUBE
02	01	19955052	ROND.PIANA D.8X16X1,5 ZN.B. UNI6592	PLAIN WASHER	RONDELLE	SCHEIBE
03	01	19953908	DADO ESAG. M8 C/ROND. ZN B.	NUT	ECROU	MUTTER
04	01	15535012	PERNO X BLOCCO CASSONE F300	PIN	AXE	BOLZEN
05	01	15535104	TELAIO CARRO F450	FRAME BODY	CHASSIS	GESTELL
06	02	19954007	DADO ESAG. M12 ZN B. ALTO UNI 5587	NUT	ECROU	MUTTER
07	02	19955275	ROSETTA ELAS.D.12 ZB RINF DIN 128B	SPRING WASHER	RONDELLE ELASTIQUE	FEDERSCHREIBE
08	02	14680604	PARACOLPI GOMMA C/PIEDE M12 15X50	BUFFER	BOUTOIR	PUFFER
09	01	15535010	SUPPORTO GOMMINI F300	SUPPORT	SUPPORT	HALTERUNG
10	01	15535016	COPERCHIO ANTERIORE CAMBIO	COVER	COUVERCLE	DECKEL
11	01	15535005	SUPPORTO MOTORE MINITR.	SUPPORT	SUPPORT	HALTERUNG
12	01	15535017	COPERCHIO POSTERIORE CAMBIO	COVER	COUVERCLE	DECKEL
13	07	19955007	ROND.PIANA D.6X18X1,5 ZN.B. UNI6592	PLAIN WASHER	RONDELLE	SCHEIBE
14	07	19952720	VITE TE M6X20 ZN B. UNI 5739	SCREW	VIS	SCHRAUBE
15	02	19952715	VITE TE M8X16 ZN B. UNI 5739	SCREW	VIS	SCHRAUBE
16	02	19955273	ROSETTA ELAS.D.8 RINFORZ. DIN 127/B	SPRING WASHER	RONDELLE ELASTIQUE	FEDERSCHREIBE
17	02	19955052	ROND.PIANA D.8X16X1,5 ZN.B. UNI6592	PLAIN WASHER	RONDELLE	SCHEIBE
18	04	19954210	DADO AUTOBL. M10 ZN ALTO DIN 982	NUT	ECROU	MUTTER
19	04	19955053	ROND.PIANA D.10X21X2 ZN.B. UNI6592	PLAIN WASHER	RONDELLE	SCHEIBE
20	02	19952129	VITE TCEI M10X25 ZN B. UNI 5931	SCREW	VIS	SCHRAUBE
21	02	19954210	DADO AUTOBL. M10 ZN ALTO DIN 982	NUT	ECROU	MUTTER




TAB. 03		STEGOLE DI GUIDA - HANDLEBARS MANCHERONS - FÜHRUNGSHOLM					
REF.	Q.	COD.	DESCRIZIONE (IT)	DESCRIPTION (EN)	DESCRIPTION (FR)	BENENNUNG (DE)	
01	01	15535107	SUPP. STEGOLE DI GUIDA F550	SUPPORT	SUPPORT	HALTERUNG	
02	04	14680401	SILENTBLOCK 12x40x58x66	SILENTBLOCK	SILENTBLOCK	SILENTBLOCK	
03	04	19955009	ROND.PIANA D.8X24X2,5 ZN.B. UNI6593	PLAIN WASHER	RONDELLE	SCHEIBE	
04	02	19952729	VITE TE M8X25 ZN B. UNI 5739	SCREW	VIS	SCHRAUBE	
05	01	15535109	STEGOLE DI GUIDA SX F550	HANDLEBARS (L.H.)	MANCHERONS (GAUCHE)	FÜHRUNGSHOLM (LINKS)	
06	01	15535018	RINFORZO STEGOLE F550 (MANUALE)	PLATE (MANUAL)	PLAQUE (MANUEL)	PLATTE (HAND)	
07	01	14660203	MANETTINO GAS M6X65 FONDO BASSO	LEVER, THROTTLE	ACCELERATEUR	GASHEBEL	
08	04	14680127	VITE X BLOCCH. SUPP. LEVA IN PLAST.	SCREW	VIS	SCHRAUBE	
09	01	14680126	BLOCCH. SUPP. LEVA IN PLASTICA D.27	SUPPORT	SUPPORT	HALTERUNG	
10	02	14680376	MANOPOLA D.27 S/COLLARINO	GRIP	POIGNEE	HANDGRIFF	
11	01	17538004	LEVA X C/DO DOPPIO (SENZA TRASMISS.)	LEVER (W/OUT WIRE)	LEVIER (SANS CABLE)	HEBEL (OHNE SEILZUG)	
12	02	1753800101	LEVA PLAST. (SENZA SUPPORTO)	LEVER (W/OUT SUPPORT)	LEVIER (SANS SUPPORT)	HEBEL (OHNE HALTERUNG)	
13	02	17538001	LEVA X C/DO STERZATA (SENZA TRASMISS.)	LEVER (W/OUT WIRE)	LEVIER (SANS CABLE)	HEBEL (OHNE SEILZUG)	
14	01	19954206	DADO AUTOBL. M6 ZN ALTO DIN 982	NUT	ECROU	MUTTER	
15	04	19951808	VITE TTQS M8X20 ZN B. UNI 5731	SCREW	VIS	SCHRAUBE	
16	04	19953908	DADO ESAG. M8 C/ROND. ZN B.	NUT	ECROU	MUTTER	
17	02	19954208	DADO AUTOBL. M8 ZN ALTO DIN 982	NUT	ECROU	MUTTER	
18	01	15535102	PROTEZIONE INFERIORE F550	GUARD	PROTECTION	SCHUTZ	
19	04	19952658	VITE TE M12X90 ZN B. UNI 5737	SCREW	VIS	SCHRAUBE	
20	04	19952730	VITE TE M10X25 ZN B. UNI 5739	SCREW	VIS	SCHRAUBE	
21	01	15535101	STEGOLE DI GUIDA DX F550	HANDLEBARS (R.H.)	MANCHERONS (DROITE)	FÜHRUNGSHOLM (RECHTS)	
22	04	19955274	ROSETTA ELAS.D10 ZB. RINF. DIN 128B	SPRING WASHER	RONDELLE ELASTIQUE	FEDERSCHREIBE	
23	02	19952714	VITE TE M6X16 ZN B. UNI 5739	SCREW	VIS	SCHRAUBE	
24	02	19955007	ROND.PIANA D.6X18X1,5 ZN.B. UNI6592	PLAIN WASHER	RONDELLE	SCHEIBE	
25	01	15536002	COPERCHIETTO COPRI FILI F300	COVER	COUVERCLE	DECKEL	
26	02	19952720	VITE TE M6X20 ZN B. UNI 5739	SCREW	VIS	SCHRAUBE	
27	02	19955007	ROND.PIANA D.6X18X1,5 ZN.B. UNI6592	PLAIN WASHER	RONDELLE	SCHEIBE	
28	04	19954256	DADO AUTOBL. M12 ZN BASSO DIN 985	NUT	ECROU	MUTTER	



TAB. 04		MOTORE - ENGINE MOTEUR - MOTOR				
REF.	Q.	COD.	DESCRIZIONE (IT)	DESCRIPTION (EN)	DESCRIPTION (FR)	BENENNUNG (DE)
01	04	19954210	DADO AUTOBL. M10 ZN ALTO DIN 982	NUT	ECROU	MUTTER
02	04	19955053	ROND.PIANA D.10X21X2 ZN.B. UNI6592	PLAIN WASHER	RONDELLE	SCHEIBE
03	02	15535007	TIRANTE AD U BLOCCO CAMBIO F300	TIE-ROD	TIRANT	SPANNBOLZEN
04	01	15535000	CAMBIO 3 VELOCITA' + 1 RM	GEARBOX	CHANGEMENT DE VITESSE	GETRIEBE
05	01	19954255	DADO AUTOBL. M10 ZN BASSO DIN 985	NUT	ECROU	MUTTER
06	01	19952644	VITE TE M10X65 ZN B. UNI 5737	SCREW	VIS	SCHRAUBE
07	01	19953908	DADO ESAG. M8 C/ROND. ZN B.	NUT	ECROU	MUTTER
08	04	19952612	VITE TE M8X40 ZN B. UNI 5737	SCREW	VIS	SCHRAUBE
09	01	19951718	VITE TE M8X20 C/ROND. ZIGRIN. ZN B.	SCREW	VIS	SCHRAUBE
10	01	15535011	GUIDACINGHIA CAMBIO X MECH	BELT DRIVE	GUIDE-COURROIE	RIEMENFÜHRUNG
11	04	19955052	ROND.PIANA D.8X16X1,5 ZN.B. UNI6592	PLAIN WASHER	RONDELLE	SCHEIBE
12	04	19954208	DADO AUTOBL. M8 ZN ALTO DIN 982	NUT	ECROU	MUTTER
13	01	19957305	RONDELLA RAME 10mm.	WASHER	RONDELLE	SCHEIBE
14	01	15315162	PROLUNGA TAPPO OLIO MOTORE BENZ.	EXYTENSION	RALLONGE	VERLÄNGERUNG
15	05	19955009	ROND.PIANA D.8X24X2,5 ZN.B. UNI6593	PLAIN WASHER	RONDELLE	SCHEIBE
16	05	19955408	DISCO ELASTICO D.8	SPRING WASHER	RONDELLE ELASTIQUE	FEDERSCHREIBE
17	05	19950101	VITE TE 5/16-24 X 3/4 UNF	SCREW	VIS	SCHRAUBE
18	01	15001054	MOLLA PICCOLA RIC. TENDICIN. GREZZA	SPRING	RESSORT	FEDER
19	01	15885012	TENDITORE GALOPPINO PTO MINIHYDRO	LEVER	LEVIER	HEBEL
20	01	19955053	ROND.PIANA D.10X21X2 ZN.B. UNI6592	PLAIN WASHER	RONDELLE	SCHEIBE
21	01	19954210	DADO AUTOBL. M10 ZN ALTO DIN 982	NUT	ECROU	MUTTER
22	01	19955012	ROND.PIANA D.12X24X2,5 ZN.B. UNI6592	PLAIN WASHER	RONDELLE	SCHEIBE
23	01	15315104	DISTANZ. SP.6 X LEVA TENDIT. RM	SPACER	ENTRETOISE	DISTANZSTÜCK
24	01	15855031	GALOPPINO TENDIC. D.54 A 2 LABBRA	PULLEY	POULIE	RIEMENSCHLEIBE
25	01	19952731	VITE TE M12X25 ZN B. UNI 5739	SCREW	VIS	SCHRAUBE
26	03	19952714	VITE TE M6X16 ZN B. UNI 5739	SCREW	VIS	SCHRAUBE
27	03	19955007	ROND.PIANA D.6X18X1,5 ZN.B. UNI6592	PLAIN WASHER	RONDELLE	SCHEIBE
28	01	15536001	CARTER COPRI CINGHIA X F300	COVER	COUVERCLE	DECKEL
29	01	15531001	PULEGGIA MOTORE X MECH MANUALE	PULLEY	POULIE	RIEMENSCHLEIBE
30	01	15535006	PIASTRA MOTORE	PLATE	PLAQUE	PLATTE
31	01	19956347	LINGUETTA 4,75X4,75X50	SPLINE	CLAVETTE	KEIL
32	01	14681052OPT	CINGHIA X13x785 6T6K	BELT	COURROIE	RIEMEN
33	01	14660193	POMELLO MARCE D.14	KNOB	BOUTON	KNEBELGRIFF
34	01	15535008	LEVA ESTERNA CAMBIO MECH	LEVER	LEVIER	HEBEL
35	01	19952715	VITE TE M8X16 ZN B. UNI 5739	SCREW	VIS	SCHRAUBE
36	01	19954045	DADO ESAG. M8 ZN B. NORM. UNI 5588	NUT	ECROU	MUTTER
37	01	19955730	SPINA ELASTICA 5X26 SPIR. UNI 6875	ROLL PIN	GOUPILLE ELAST.	STIFT
38	01	15531002	PULEGGIA CONDOTTA CAMBIO MECH	PULLEY	POULIE	RIEMENSCHLEIBE
39	02	19955008	ROND.PIANA D.6X24X2 ZN.B. UNI6592	PLAIN WASHER	RONDELLE	SCHEIBE
40	01	19955257	ROSETTA ELAS.D.6 RINFORZ. DIN 127/B	SPRING WASHER	RONDELLE ELASTIQUE	FEDERSCHREIBE
41	01	19952714	VITE TE M6X16 ZN B. UNI 5739	SCREW	VIS	SCHRAUBE
42	01	19956316	LINGUETTA 5X5X20 UNI 6604	SPLINE	CLAVETTE	KEIL



TAB. 05		COMANDI - DRIVES COMMANDES - ANTRIEBEN				
REF.	Q.	COD.	DESCRIZIONE (IT)	DESCRIPTION (EN)	DESCRIPTION (FR)	BENENNUNG (DE)
01	02	17538002	PERNO X TRASM. STERZATA F300	PIN	AXE	BOLZEN
02	02	17538003	COPPIGLIA X TRASM. STERZATA F300	COTTER PIN	GOUPILLE FENDEU	SPLINT
03	02	1753800102	TRASM. STERZATA (SENZA LEVA)	WIRE (W/OUT LEVER)	CABLE (SANS LEVIER)	SEILZUG (OHNE HEBEL)
04	01	15538004	TRASM. C/DO FRENO STAZIONAMEN. F300	WIRE	CABLE	SEILZUG
05	01	15538003	TRASM. TIROCINGHIA CAMBIO F300	WIRE	CABLE	SEILZUG
06	03	14660243	MORSETTO PIATTO A 2 VITI	CLAMP	SERRE-CABLE	SEILKLEMME
07	01	15535015	PIASTRINA X TRASMISSIONI F300	PLATE	PLAQUE	PLATTE
08	01	15538007	TRASM. C/DO DOPPIO (C/LEVA)	WIRE (W/LEVER)	CABLE (AVEC LEVIER)	SEILZUG (MIT HEBEL)
09	02	19953908	DADO ESAG. M8 C/ROND. ZN B.	NUT	ECROU	MUTTER
10	01	15538005	TRASM. GAS MINITRANSPORTER F300	WIRE	CABLE	SEILZUG
11	01	15001096	PERNO CON MOLLA 6X24	CLIP	CLIP	CLIP
12	01	15317047	MOLLA X RITORNO LEVE DI STERZATA	SPRING	RESSORT	FEDER
13	01	15535028	ASTA FILET. TIRO MOLLA FRENO F300	ROD	TIGE	STANGE
14	02	19955273	ROSETTA ELAS.D.8 RINFORZ. DIN 127/B	SPRING WASHER	RONDELLE ELASTIQUE	FEDERSCHREIBE
15	02	19952715	VITE TE M8X16 ZN B. UNI 5739	SCREW	VIS	SCHRAUBE
16	01	19954045	DADO ESAG. M8 ZN B. NORM. UNI 5588	NUT	ECROU	MUTTER
17	01	19955052	ROND.PIANA D.8X16X1,5 ZN.B. UNI6592	PLAIN WASHER	RONDELLE	SCHEIBE
18	01	15535029	SUPP. ASTA TIRO MOLLA FRENO F300	SUPPORT	SUPPORT	HALTERUNG