

 **MARUYAMA**

M-TWIST

**SWIFT
LOAD
HEAD**

Load Line in Seconds ...

**TOUGH
EASY
FAST**

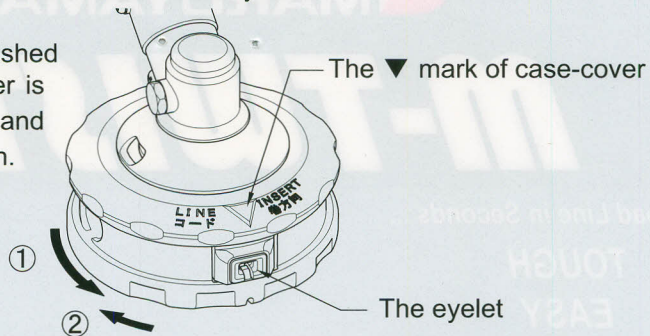
**ARBOR:
8mm, LH**

Fits Maruyama & Competitive Straight-Shaft Brushcutters & Trimmers

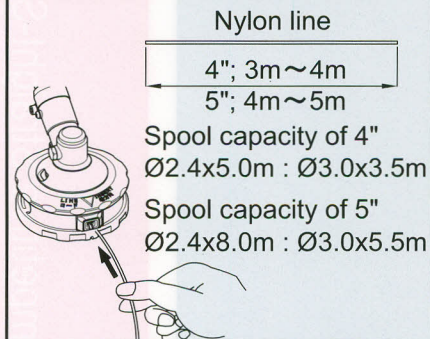
HOW TO WIND CUTTING LINES

1. Line up the ▼ mark on the case-cover with eyelet.

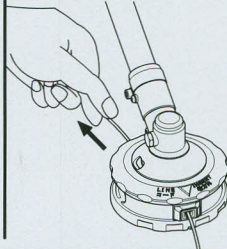
This operation is accomplished easily when the case-cover is rotated in the ① direction and returned in the ② direction.



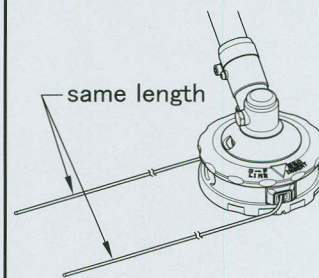
2. Insert the line into the eyelet.



Pull line out.

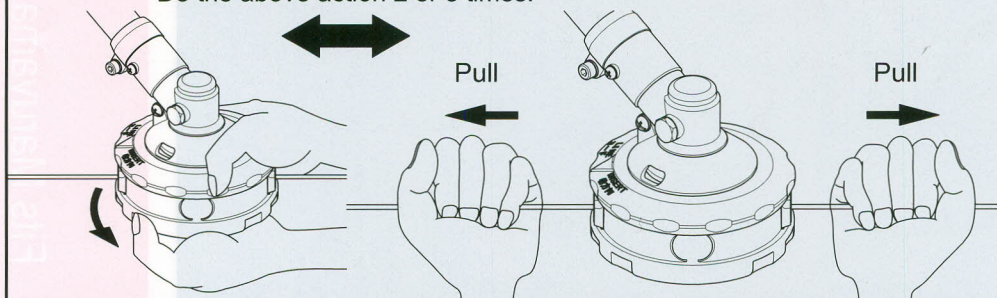


3. Both sides is same length.

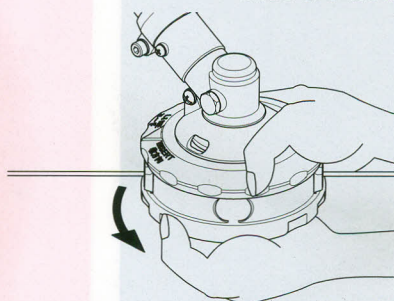


4. Turn the cover half-rotation, and pull both nylon lines.

Do the above action 2 or 3 times.



5. When a cover is turned, nylon lines are wound.



6. When it is wound too much, nylon line recess into the case.

