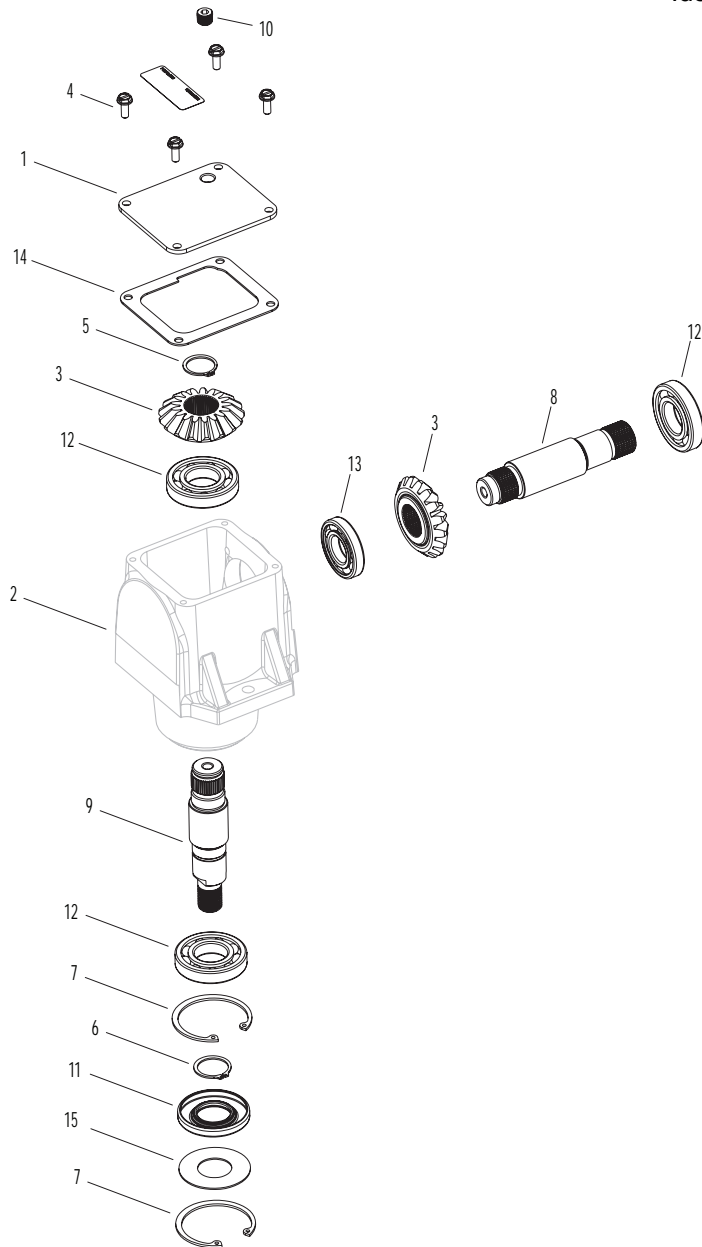


WALKER MANUFACTURING COMPANY

CAST IRON PEERLESS GEARBOX 1050-002 (WALKER P/N 5052-5)



Return to
Identification Page

| ITEM NO. | WALKER | PEERLESS | DESCRIPTION | NO. REQ'D |
|----------|----------|----------|-----------------------------|-----------|
| | PART NO. | PART NO. | | |
| 1 | P018 | 772067 | Cover, LH | 1 |
| 2 | N/A | 770141 | Right Angle Drive Housing | 1 |
| 3 | P003 | 778101A | Miter Gear (17 teeth-steel) | 2 |
| 4 | P008 | 792025 | Screw, RD/HD Self-Tap | 4 |
| 5 | P032 | 788018 | Snap Ring, Gear Retainer | 1 |
| 6 | P028 | 788019 | Snap Ring | 1 |
| 7 | P016 | 792119 | Snap Ring | 2 |
| 8 | P011 | 776041A | Input Shaft | 1 |
| 9 | P030 | 776261 | Output Shaft | 1 |
| 10 | P041 | 28534 | Plug, Cover | 1 |
| 11 | P001 | 788029 | Seal, Oil (Federal-Mogel) | 1 |
| 12 | P024 | 780034 | Ball Bearing | 3 |
| 13 | P019 | 780024 | Ball Bearing | 1 |
| 14 | P004 | 788028 | Gasket Cover | 1 |
| 15 | P062 | 792219 | Seal Protector Washer | 1 |

Return to
Identification Page

This Gearbox is used in the following applications:
 (RH and LH indicate view from operator seat)

- DGHS36 RH Gearbox
- DGHS36 LH Gearbox
- DSD36 LH Gearbox
- DGHS42 RH Gearbox
- DGHS42 LH Gearbox
- DSD42 LH Gearbox
- DML42 LH Gearbox
- DGHS48 RH Gearbox
- DGHS48 LH Gearbox
- DGHS52 RH Gearbox
- DGHS52 LH Gearbox
- DSD54 LH Gearbox