

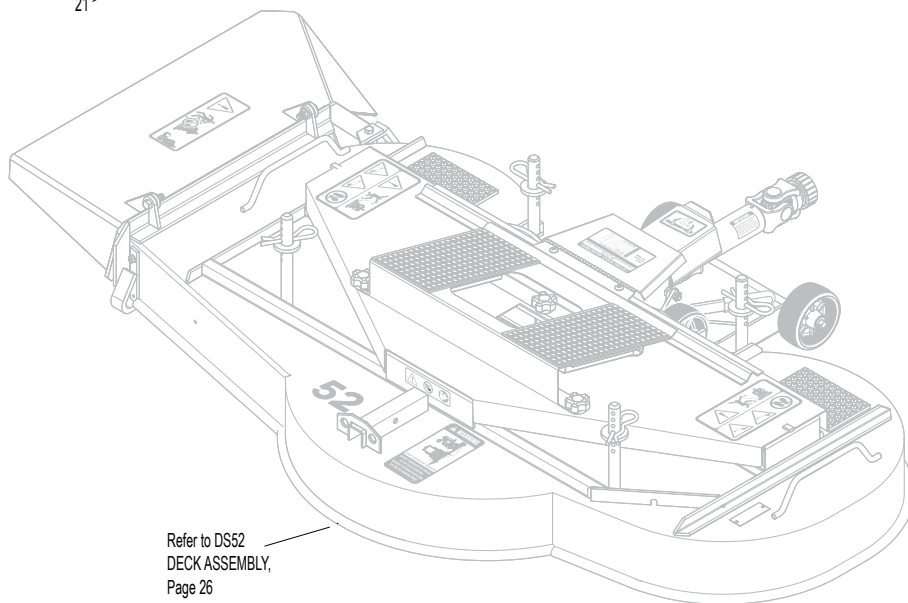
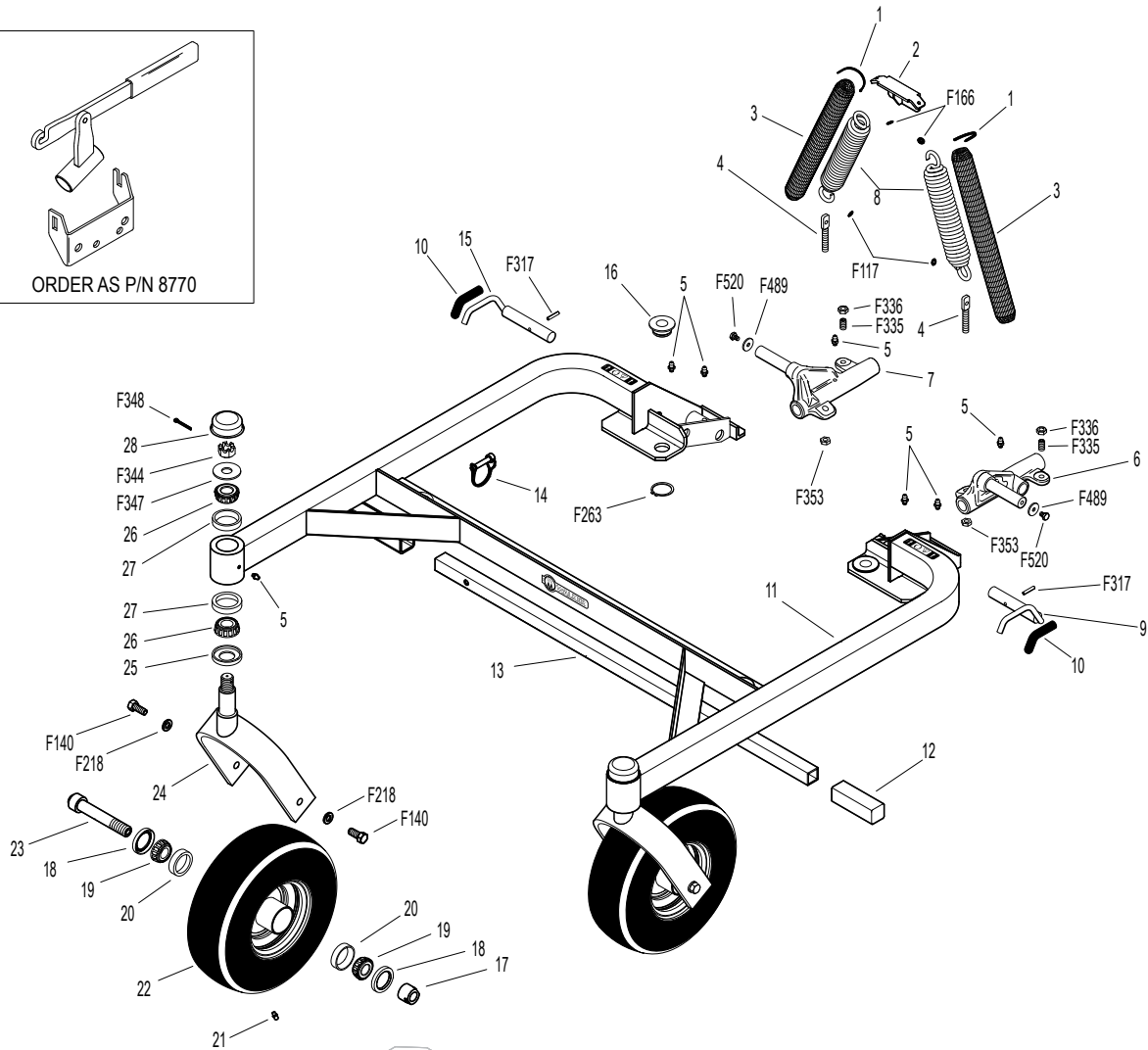
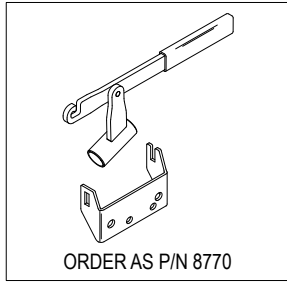
52 INCH COMPLETE CARRIER FRAME ASSEMBLY

ITEM NO.	PART NO.	DESCRIPTION	NO. REQ'D	ITEM NO.	PART NO.	DESCRIPTION	NO. REQ'D
Spring and Pivot Mount Components				Caster Wheel Components			
1	5975-3	Cable Tie (50# x 7")	4	17	8766	Axle Nut (3/4-16)	2
2	5744-1	Spring Clip Bracket	1	18	8768-2	Seal, Reverse Lip	4
3	5743-1	Spring Cover	2	19	8037	Bearing Cone (3/4 ID)	4
4	5743-4	Eyebolt (3/8-16 x 2-3/4)	2	20	8037-2	Bearing Race	4
5	5830	Grease Fitting	8	21	5830-3	Grease Fitting (45 Degree)	2
6	8667-29	Pivot Mount Adj., LH	1	22	8768	Caster Wheel, Pneumatic (11 x 4.00-5)	2
	8667-3	Pivot Mount Assembly, LH/Adj. (Includes Items # 5, 6, F353, F489 & F520)	*		8768-3	Tire, Pneumatic (11 x 4.00-5)	*
7	8667-28	Pivot Mount Adj., RH	1		8768-5	Caster Wheel (5 x 3)	*
	8667-4	Pivot Mount Assembly, RH/Adj. (Includes Items # 5, 7, F353, F489 & F520)	*	23	8767	Axle, Caster Wheel (5-1/8)	2
8	5743-6	Extension Spring (1-1/2 x 7-3/4) (Includes Items # 1, F117 & F166)	2	24	8765-11	Caster Wheel Fork	2
				25	8769-7	Seal	2
				26	8769-6	Bearing Cone (1" ID)	4
				27	8769-5	Bearing Cup (2 x 1-5/8)	4
				28	8769-8	Dust Cap, Deck Caster	2
Carrier Frame Components				Fasteners			
9	8674-11	Lever, Deck Lock, LH	1	F117	Retainer Ring		2
10	7406-1	Handle Grip (Red)	2	F140	7/16-14 x 1 Hex Bolt		4
11	8811-12	52 SD Carrier Frame	1	F166	Retainer Ring		2
	8811-10	52 SD Carrier Frame, with Pivots (Includes Items # 9, 10, 15, F317, F335 & F336)	*	F218	7/16 Split Lock Washer		4
12	5850-5	Handle Grip (1 x 1 x 3-3/4)	1	F263	1-1/4 External Snap Ring		4
13	8811-25	Tilt Bar, with Grip (35") (Includes Item # 12)	1	F317	3/16 x 1 Split Spring Pin		2
14	7775-5	Lock Pin (5/16 x 1-5/8)	1	F335	3/8-16 x 7/8 Set Screw, SS		2
15	8674-10	Lever, Deck Lock, RH	1	F336	3/8-16 Jam Nut		2
16	8740	Deck Pin Bushing (3/4 ID)	4	F344	3/4-16 Slotted Hex Nut		2
				F347	3/4 SAE Washer		2
				F348	1/8 x 1-1/2 Cotter Pin		2
				F353	3/8-16 ESNA LP Nut		2
				F489	Washer 1/4 x 7/8 x .090		2
				F520	1/4-28 x 3/8 Hex Bolt		2

* Service Part Only

NOTE: The E-Z Pin Puller P/N 8770 can be ordered to assist removing and installing height adjustment hitch pins on larger decks. This item stows on tractor when not in use.

52 INCH COMPLETE CARRIER FRAME ASSEMBLY



Refer to LUBRICATION POINTS, Page 54.

DS52 DECK ASSEMBLY

ITEM NO.	PART NO.	DESCRIPTION	NO. REQ'D	ITEM NO.	PART NO.	DESCRIPTION	NO. REQ'D	
Blade Drive Components				42	8810-10	52 SD Deck Housing (Includes Items # 39 & 40)	1	
1	8789-5	Pulley Guard	1	43	8692-10	Baffle, DSD52	1	
2	8786-15	Footrest Assembly (Includes Item # 18)	1	44	8052-2	Blade Spindle	3	
3	8754-3	Edge Molding	2	45	5705-25	Blade Spacer	3	
4	8754-5	52 SD Cover Plate (Includes Items # 3 & F354)	1	46	5705-14	Blade, 18-1/2	3	
5	8245	Idler Pulley (6")	3		8738-7	52 SD Blade Set	*	
6	8755	Blade Drive Pulley (3-7/8)	3	47	8707	52/62 SD Skid Bar	1	
7	8762	Dampening Spring (Gas)	1	48	8709	52/62 SD Discharge Shield	1	
8	5146	10mm Ball Stud	2	49	5052-3	1.375 x .750 x .187 Washer	12	
9	8373-3	Idler Arm (2-Hole)	1	50	8670-10	Tilt-Up Hook	1	
10	5830	Grease Fitting	3	Fasteners				
11	8374-1	Idler Arm Guide	1		F004	1/4-20 Keps Nut	11	
12	7201-3	Fiberglide Bearing	2		F009	5/16-18 Whiz Locknut	7	
13	7201-4	Inner Race (1-1/2)	1		F012	3/8-16 Keps Nut	4	
14	5841	Retainer Washer (3/8 x 1-1/4)	1		F013	3/8-16 Whiz Locknut	14	
15	8736	Blade Drive Belt (R3VX1000-2)	1		F014	3/8-16 ESNA Nut	3	
16	6240-2	Drive Pulley (4-1/2 / 3V) (Includes Items # F114 & F277)	1		F020	5/16-18 ESNA Nut	2	
17	8787	Deck Cover Knob	3		F023	10-24 ESNA Nut	2	
18	8786-10	Rubber Mat (6 x 10-1/2)	2		F029	1/4-20 x 1/2 Hex Bolt	5	
Gearbox and Dolly Wheel Components						F032	1/4-20 x 3/4 Hex Bolt	2
19	6206-1	Air Vent Valve	1		F034	5/16-18 x 3/4 Hex Bolt	1	
20	8745-25	Dolly Wheel/PTO Guard Assembly (Includes Items # 21, 26, 28, 31, 34, 35, F012, F013, F046, F052, F168, F226, F339 & F355)	*		F039	3/8-16 x 1-1/4 Hex Bolt	2	
21	6715	Roller Wheel (3-7/8)	3		F040	3/8-16 x 1-1/2 Hex Bolt	12	
22	8810-30	Tilt Dolly Mount Frame	1		F041	3/8-16 x 1-3/4 Hex Bolt	3	
23	8810-34	Axle, Dolly Mount	1		F046	3/8-16 x 3-1/2 Hex Bolt	1	
24	8285-2	U-Joint Shaft Assy, T-Scope (Includes Items # 25, F076 & F277)	1		F048	1/2 SAE Washer	3	
25	5830-3	Grease Fitting (45 Degree)	2		F051	3/8 SAE Washer	9	
26	8788	Rubber Bumper (Self-Adhesive Mount)	1		F052	5/16 External Star Lock Washer	2	
27	8745-14	Retract Lever	1		F059	3/8 Wave Spring Washer	2	
28	5850-3	Handle Grip, Foam (3-1/4)	1		F068	1/8 x 1 Cotter Pin	2	
29	8745-12	Actuator Link	1		F076	3/8-16 x 5/8 SQH Set Screw	*	
30	8745-13	Dolly Wheel Mount (Includes Item # 10)	1		F108	3/8-16 x 2 Hex Bolt	1	
31	8745-15	Axle Spacer Tube	1		F114	5/16-18 x 5/8 SQH Set Screw	2	
32	5229	Extension Spring (1/2 x 2-1/4)	1		F134	AN960816L Washer	3	
33	8745-20	Mount Bracket (Includes Items # 26, F052, F068 & F339)	1		F168	5/16 Split Lock Washer	8	
34	5103-4	Pivot Bushing (3/8 ID)	2		F206	#2 x 3/16 Drive Pin	2	
35	8745-40	PTO Cover Plate	1		F226	5/16-18 x 7/8 Hex Bolt	12	
36	8051-11	Right Angle Gearbox (Includes Item # 19)	1		F241	.375 x .875 x .10 Washer	2	
Deck Housing Components						F246	1/4-20 x 1/2 PTHMS	2
37	8727	Washer Shim (13/16 x 1/4)	4		F252	10-24 x 3/4 PFHMS	2	
38	8775	Hitch Pin (#219)	4		F276	5/8-11 Jam Nut	3	
39	8735-10	Rubber Mat (5 x 6)	2		F277	3/16 x 5/8 Woodruff Key (#605)	5	
40	8790	Rubber Cushion Strip	3		F295	3/16 x 1-1/2 Split Spring Pin	2	
41	NS	Deck Serial Number Plate	1		F339	5/16-18 x 3/4 Self-Tapping Bolt	2	
					F343	1/2-20 x 2 Hex Bolt	3	
					F354	5/16 Knurled Thread Insert	2	
					F355	3/8-16 x 4 Hex Bolt	1	
					F356	1/4-20 x 5/8 PTHMS, SS	2	
					F458	Washer 1-1/4 x 5/8 x 3/16	3	
				*	Service Part Only			

DS52 MULCHING KIT

ITEM NO.	PART NO.	DESCRIPTION	NO. REQ'D
----------	----------	-------------	-----------

Kit 8691 Mulching Kit (For DS52 Deck Assembly)
 Includes Items # 1-7, fasteners listed and instructions. May be ordered as a factory-installed option or as a kit for dealer installation. Contact your Walker dealer. Refer also to **DS52 DECK ASSEMBLY**, page 26.

1	8691-4	Baffle, RH	1
2	8691-3	Baffle, Center	1
3	8691-2	Baffle, LH	1
4	8052-9	Mulch Blade Spacer	3
5	5705-15	Blade, 18-3/8" Upper Mulch	3
	8738-8	52 SD Mulching Blade Set	*
6	8691-10	Blade Saddle	3
7	5705-14	Blade, 18-1/2 (RH Rotation)	3

ITEM NO.	PART NO.	DESCRIPTION	NO. REQ'D
----------	----------	-------------	-----------

Fasteners

F004		1/4-20 Keps Nut	9
F029		1/4-20 x 1/2 Hex Bolt	9
F048		1/2 SAE Washer	3
F343		1/2-20 x 2 Hex Bolt	3

* Service Part Only. Includes 5705-15 Blades (3 Pieces).

NOTE: Reuse Item # 7 from **DS52 DECK ASSEMBLY**. Refer to **DS52 DECK ASSEMBLY**, page 26.

DS52 MULCHING KIT

